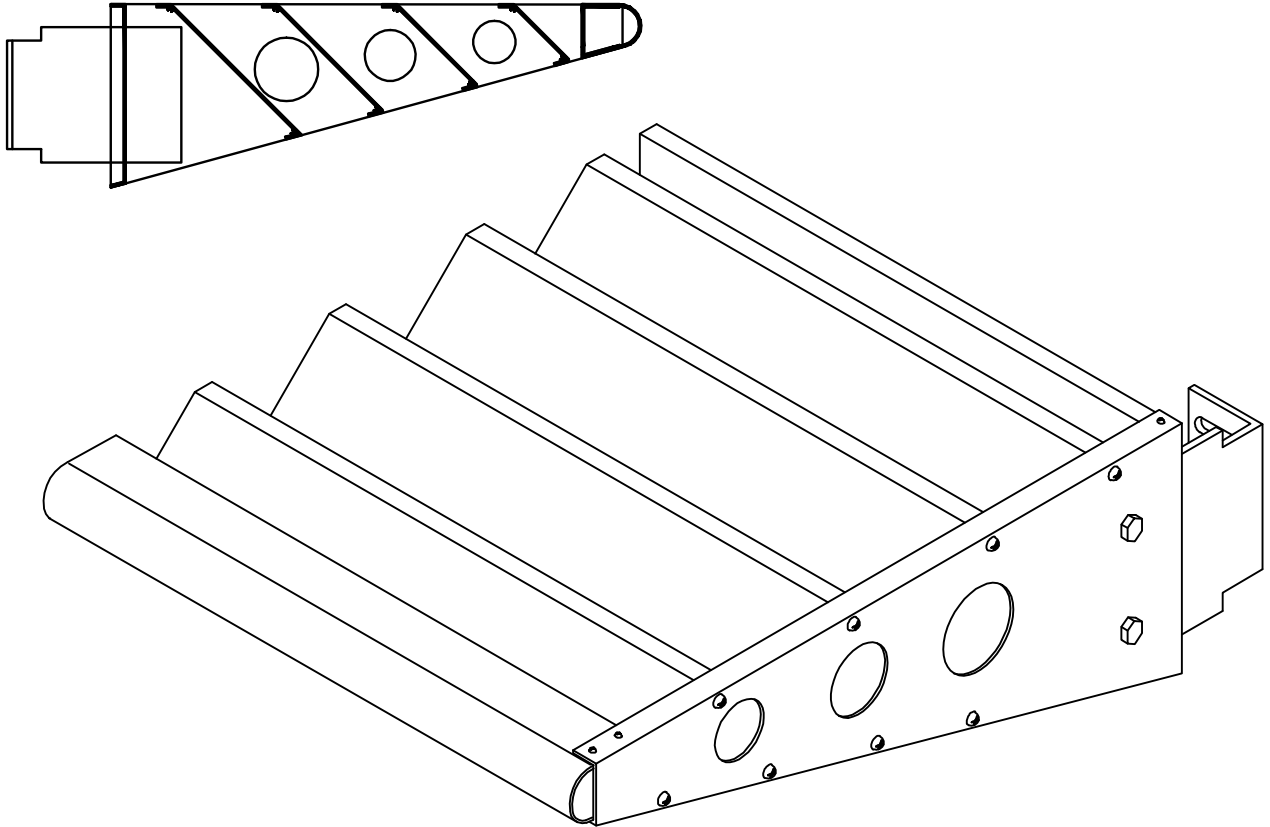
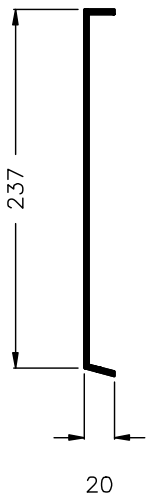


SERIES 6600

THE PERGOLA OF THE FIXED BLADES



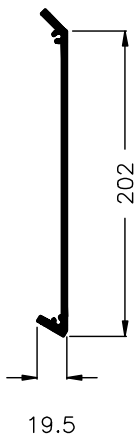
E-66214



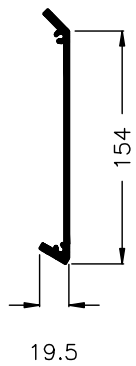
E-66213



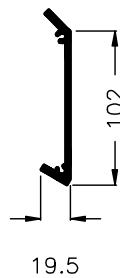
E-66212



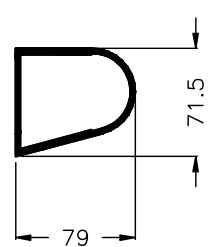
E-66211



E-66210

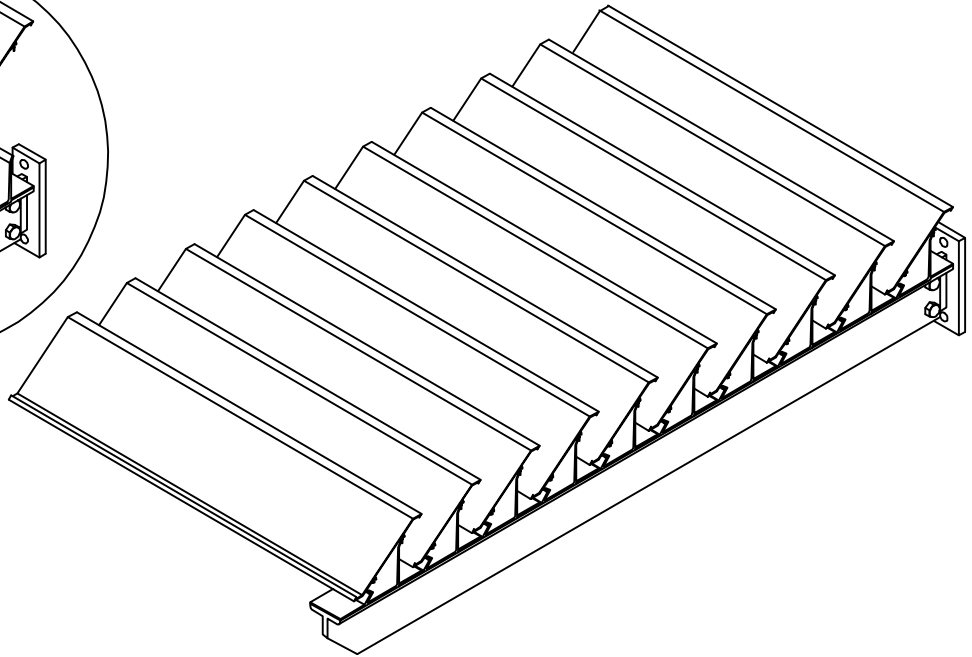
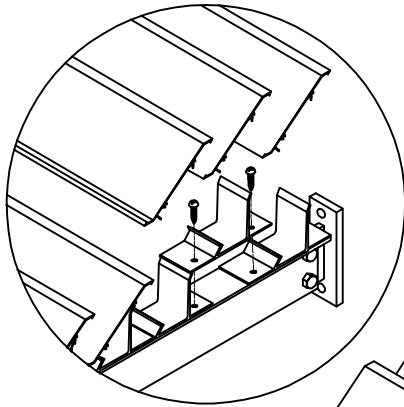
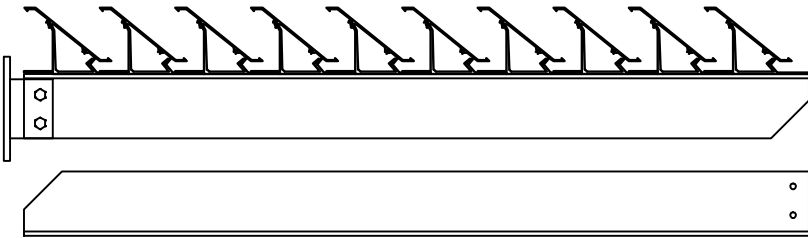


E-66293

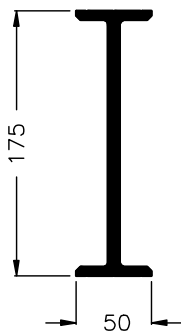


SERIES 6600

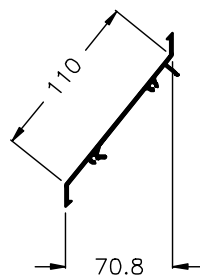
THE PERGOLA OF THE FIXED BLADES



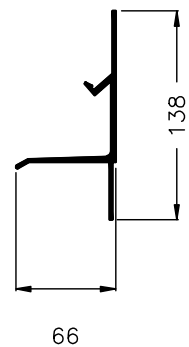
E-66911



E-66200

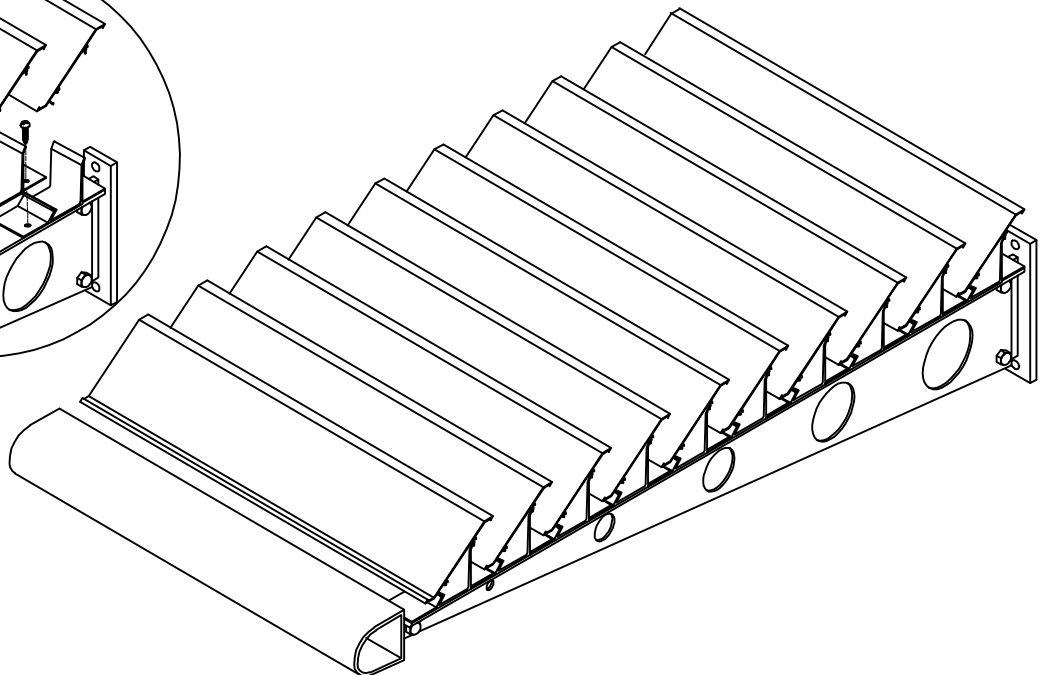
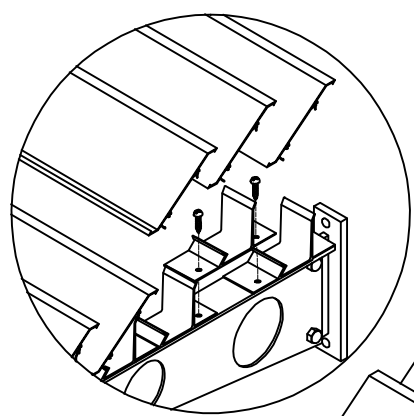
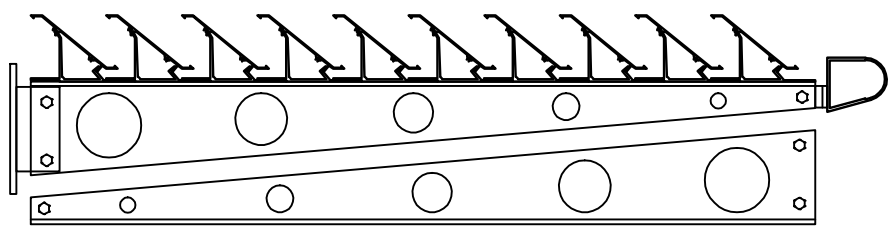


E-66900

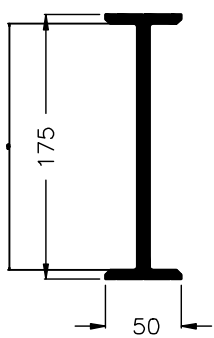


SERIES 6600

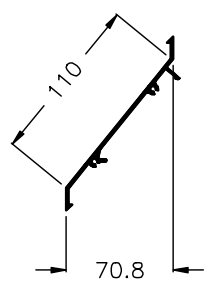
THE PERGOLA OF THE FIXED BLADES



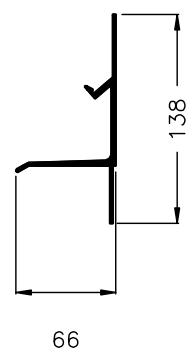
E-66911



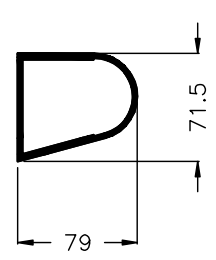
E-66200



E-66900

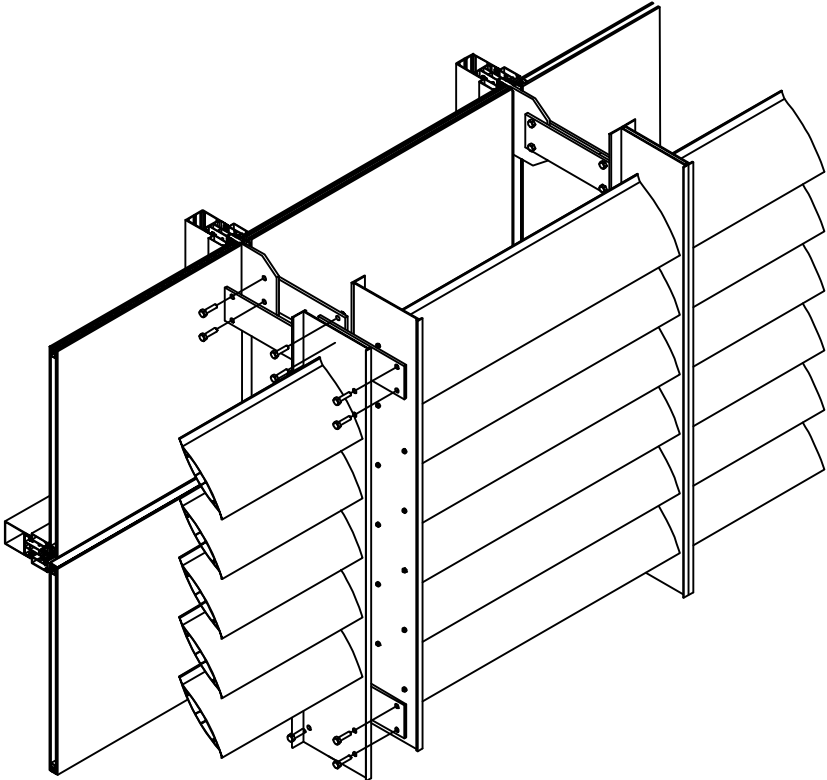
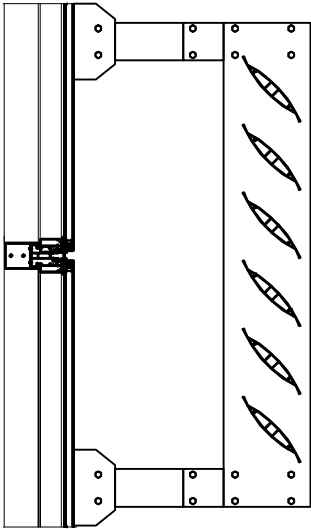


E-66293

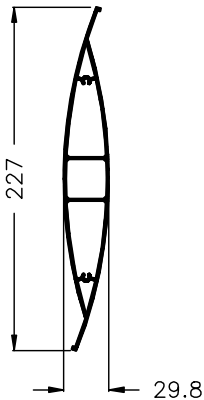


SERIES 6600

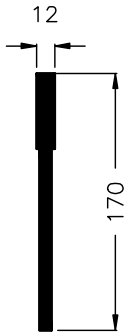
INSTALLATION OF SHUTTERS TO THE STRUCTURAL CURTAIN WALL



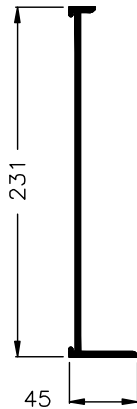
E-66290



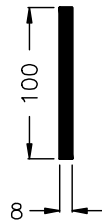
E-8960



E-66120

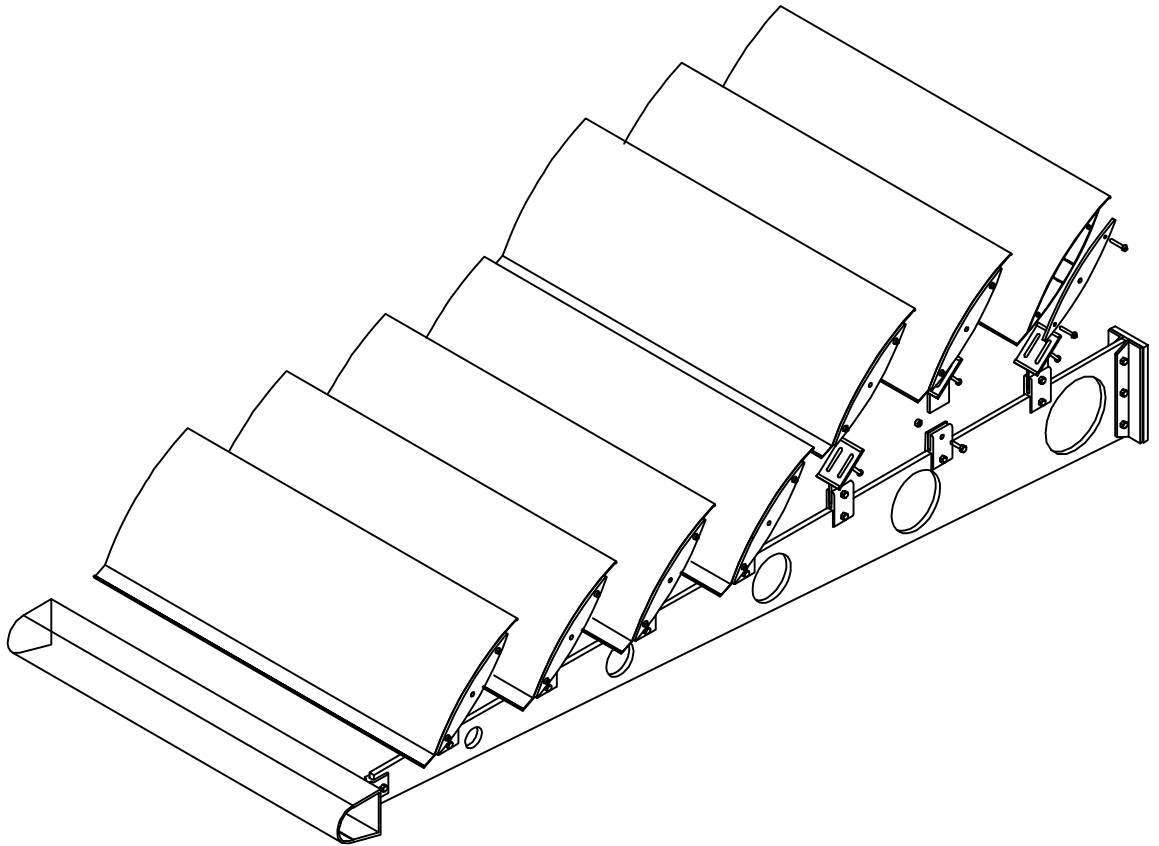
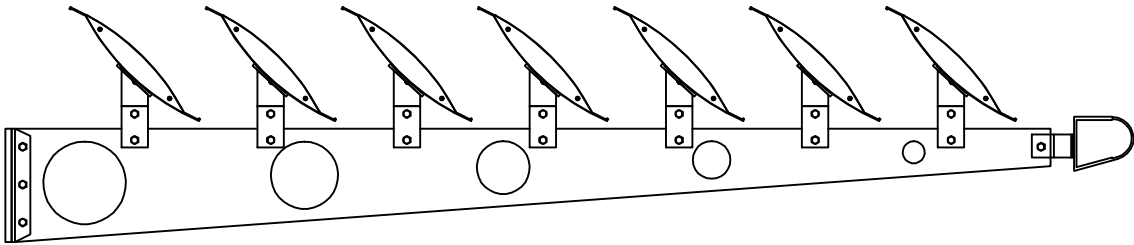


B100005



SERIES 6600

THE PERGOLA OF THE FIXED BLADES

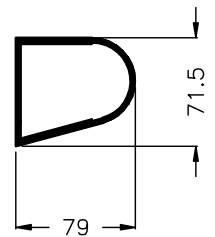
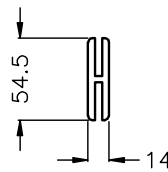
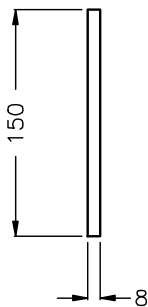
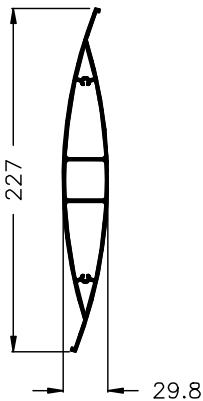


E-66290

OB150003

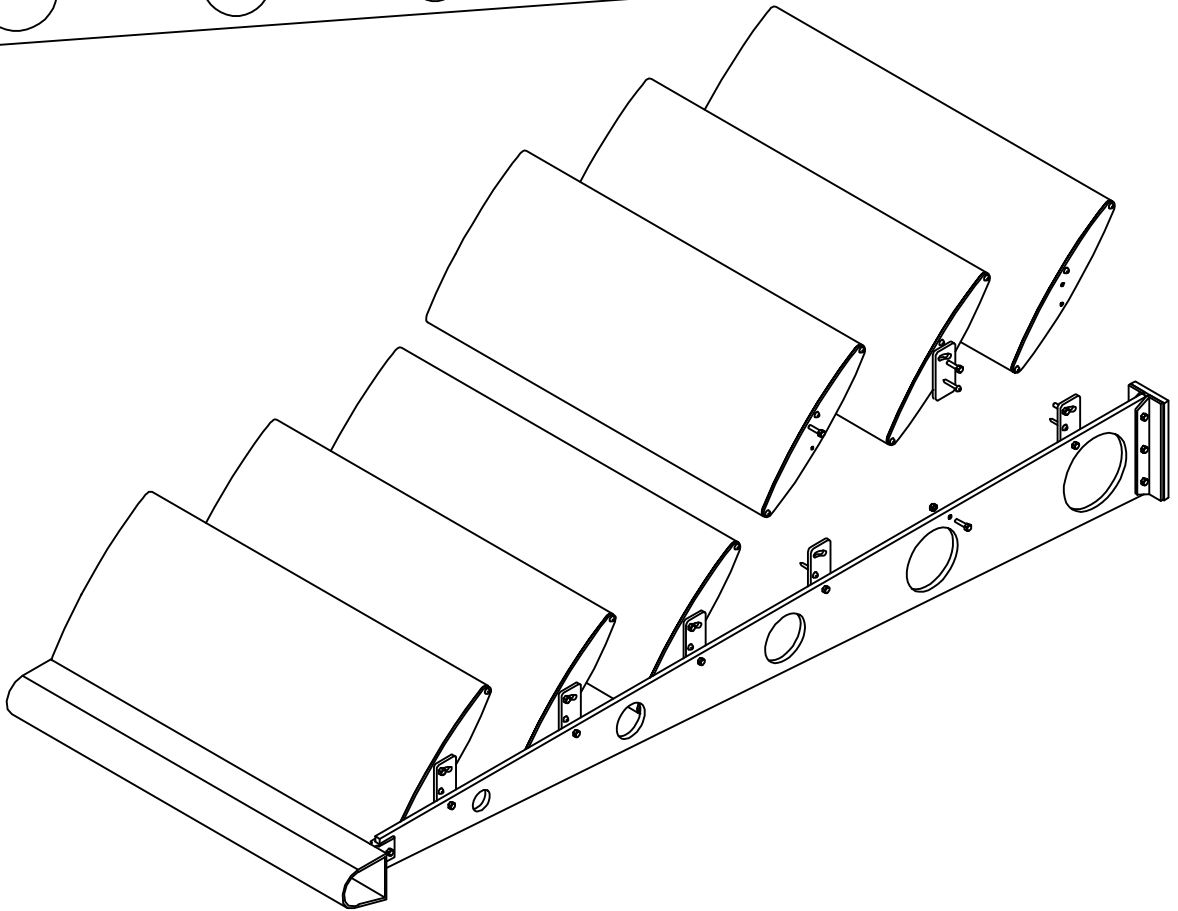
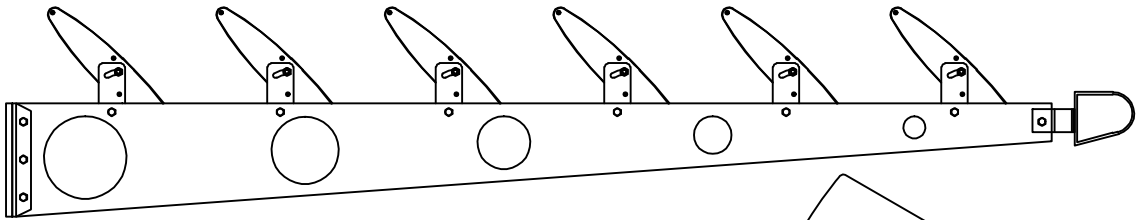
-

E-66293

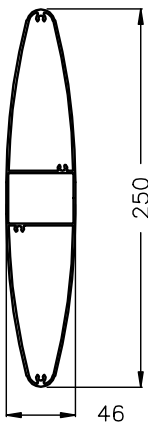


SERIES 6600

THE PERGOLA OF THE FIXED BLADES



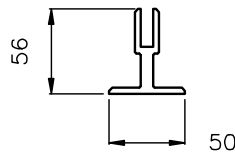
E-66251



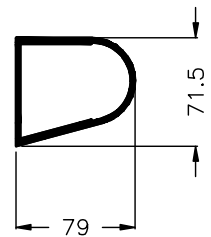
OB150003



E-66912

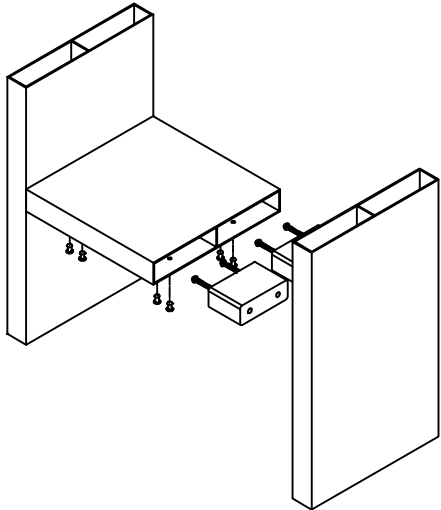
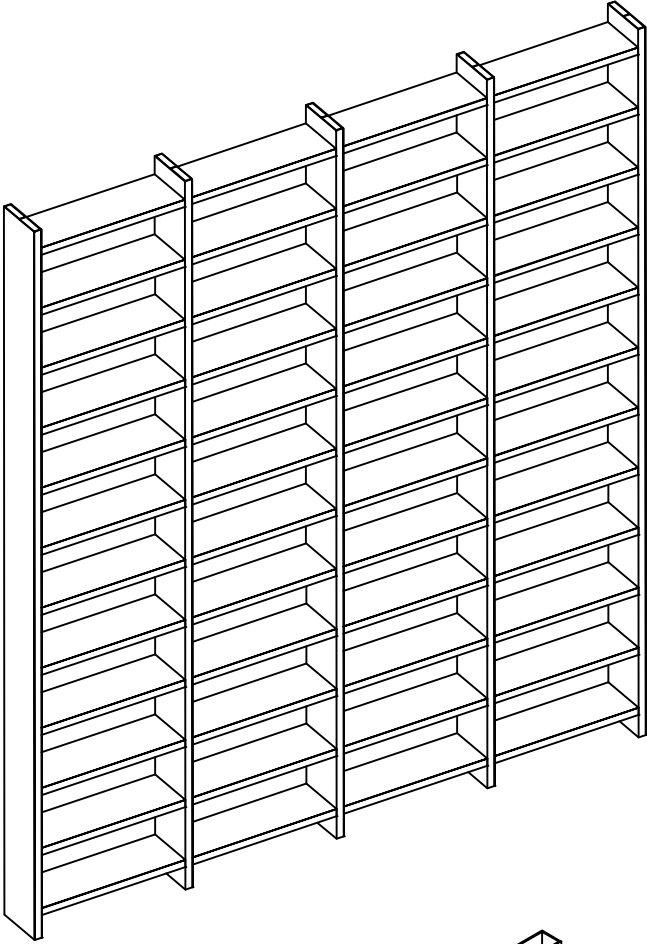


E-66293

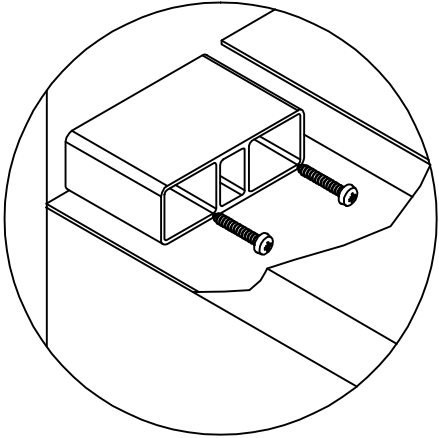
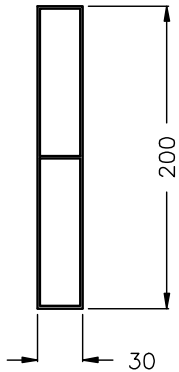


SERIES 6600

VERTICAL BLIND LATTICES

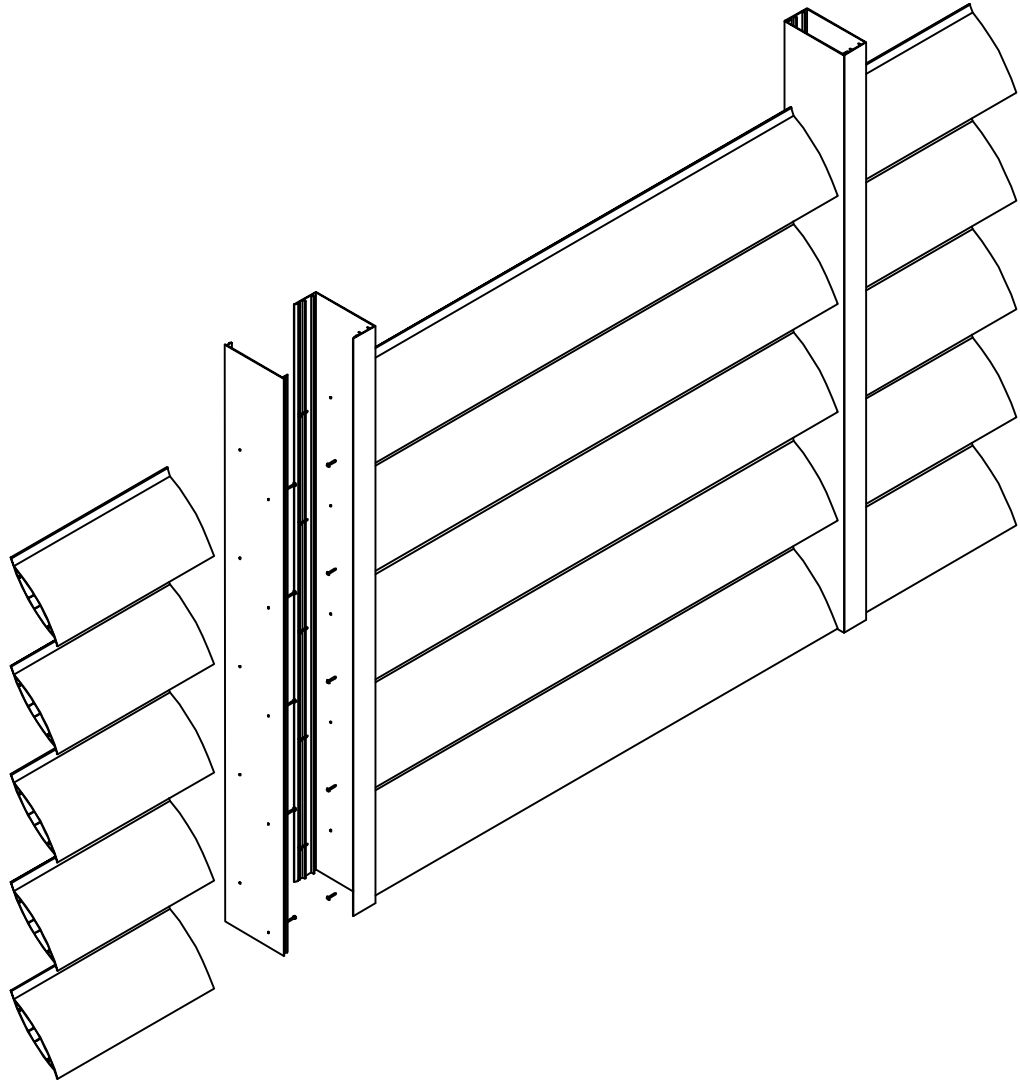
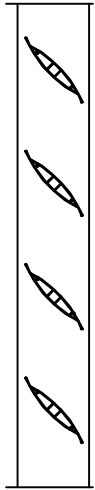


E-66000

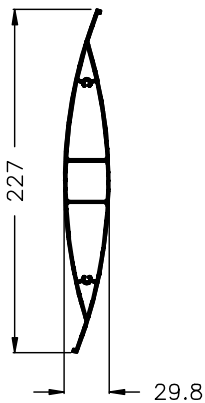


SERIES 6600

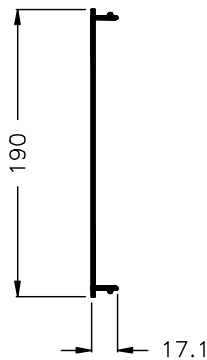
VERTICAL BLIND LATTICES



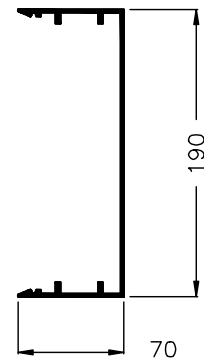
E-66290



E-66130

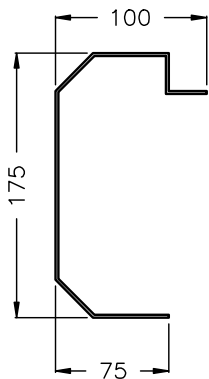
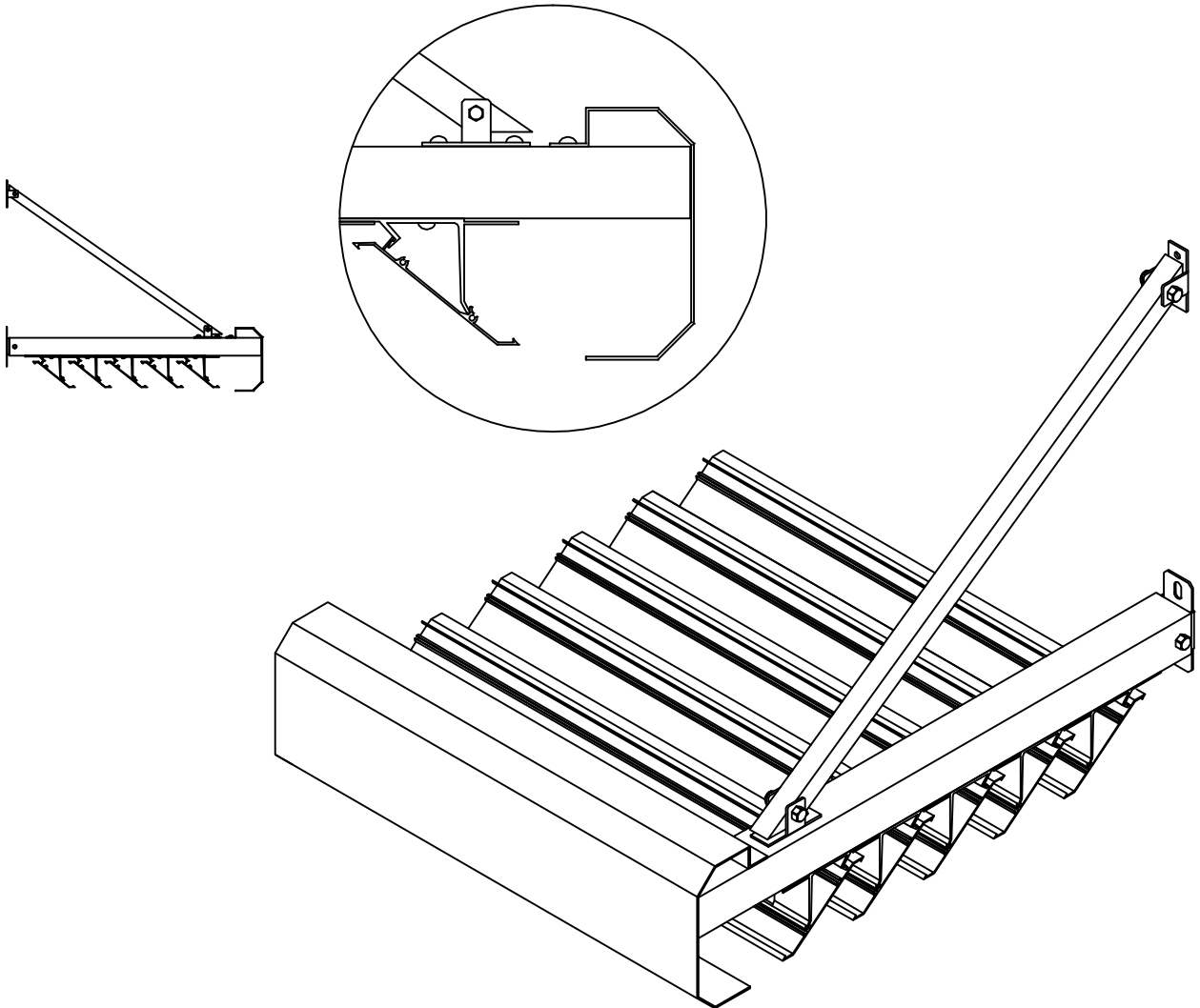


E-66131

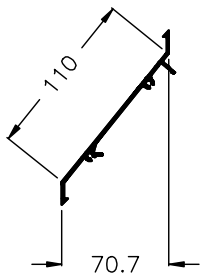


SERIES 6600

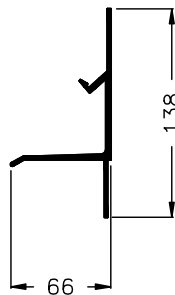
THE PERGOLA OF THE HORIZONTAL FIXED BLADES



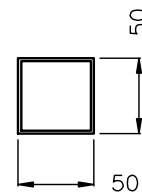
E-66200



E-66900



ST050002



ST025002

