

Content

Advantages of
Ventilated Façade
Systems2

Façade Scheme –
Details4

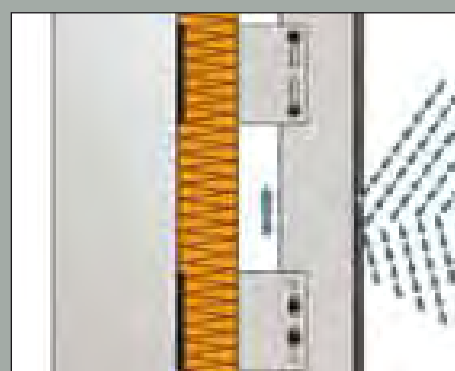
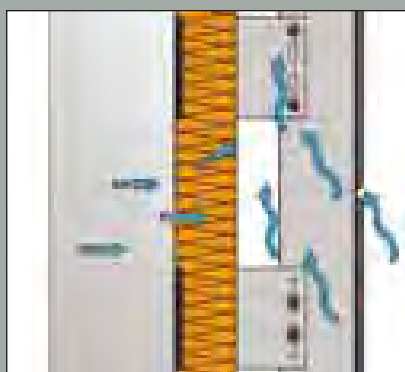
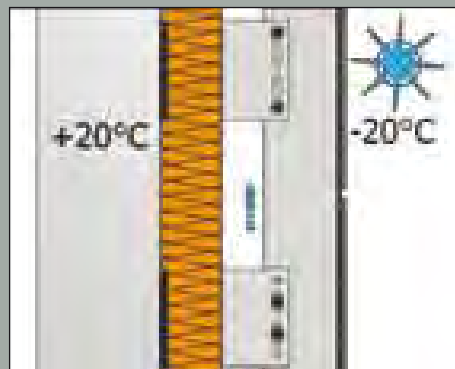
Ventilated Façade
System BRAVO6

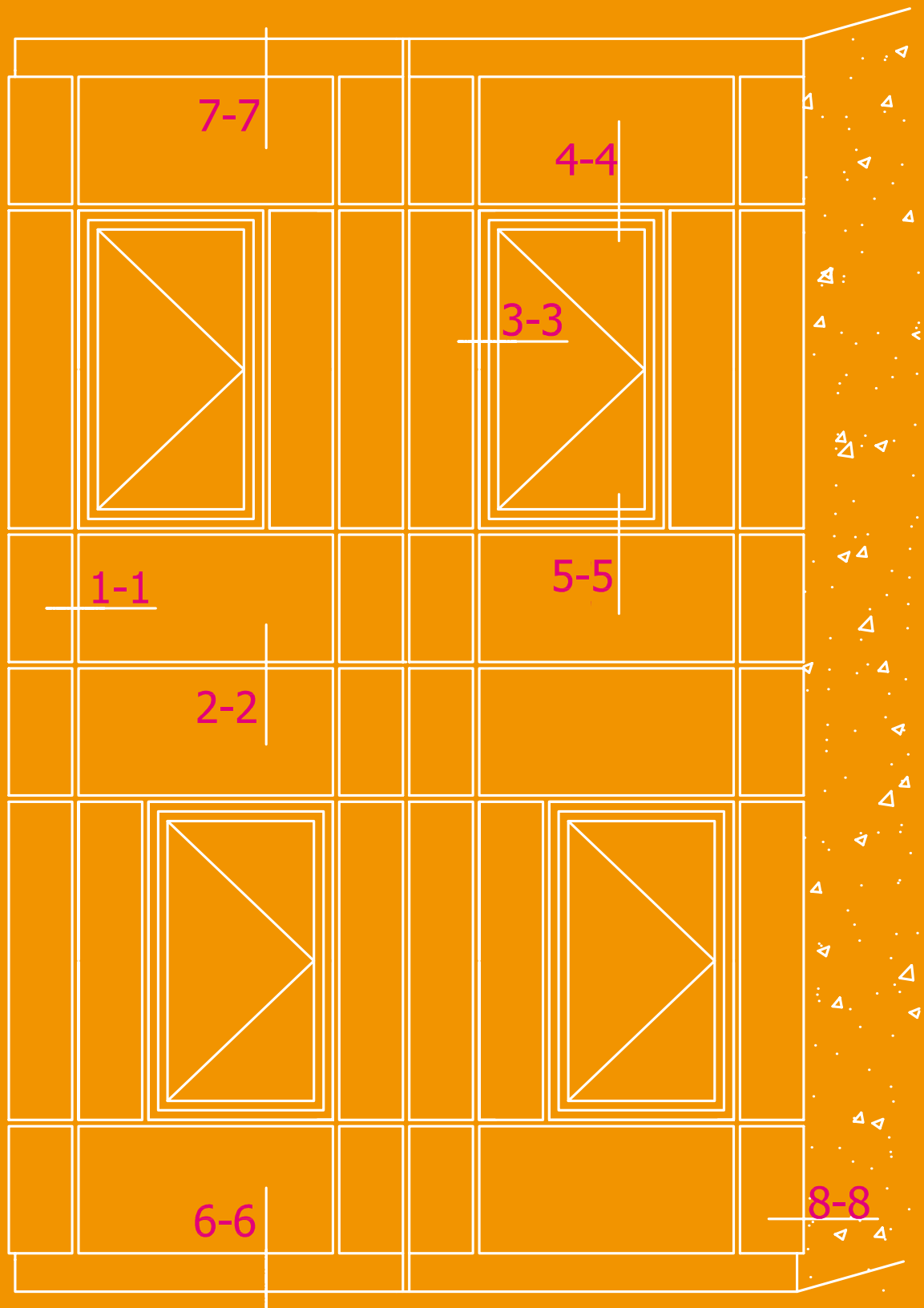
Ventilated Façade
System VARIO8

Ventilated Façade
System FORTE.... 72

System profiles and
accessories 78

Advantages of Ventilated Façade Systems





Façade Scheme – Details

detail 1
horizontal cross-section 1-1

detail 2
vertical cross-section 2-2

detail 3
side finishing to windows 3-3

detail 4
finishing to top side of windows 4-4

detail 5
finishing to bottom side of windows 5-5

detail 6
finishing to baseboard 6-6

detail 7
finishing to top of facades 7-7

detail 8
finishing to plaster 8-8

detail 9
external angle

detail 10
internal angle

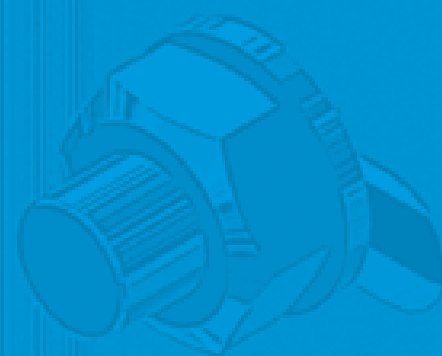
detail 11
finishing to curtain wall

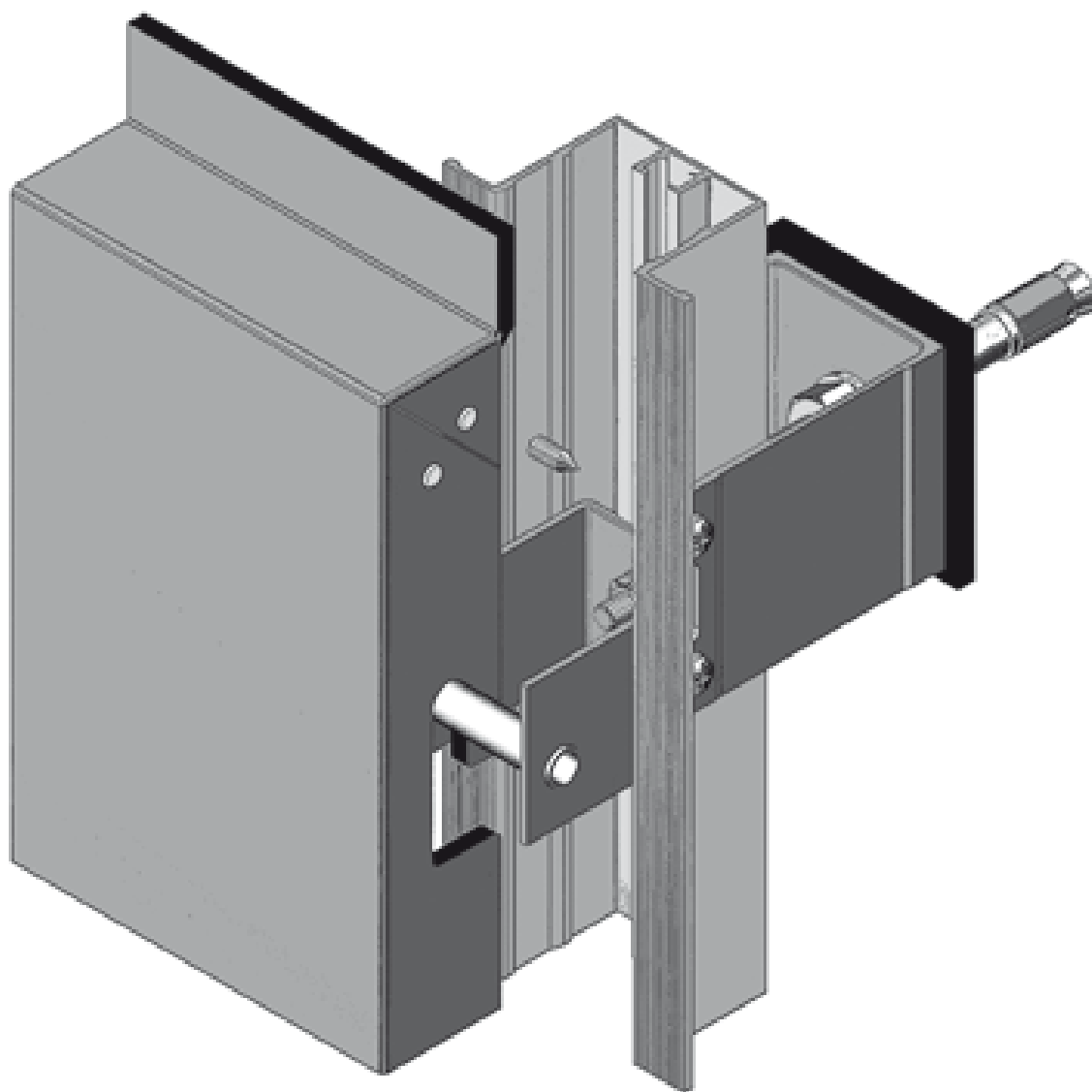
A technical cutaway diagram of a window frame assembly, rendered in a light blue color scheme. The diagram shows the internal structure of the window frame, including the sash, the frame, and the glazing. The word "Ventilated" is overlaid in white text on the right side of the diagram. The diagram illustrates the airflow path through the window frame, showing how air can enter and exit the space between the sash and the frame, which is a key feature of a ventilated window design.

Ventilated

BRAVO

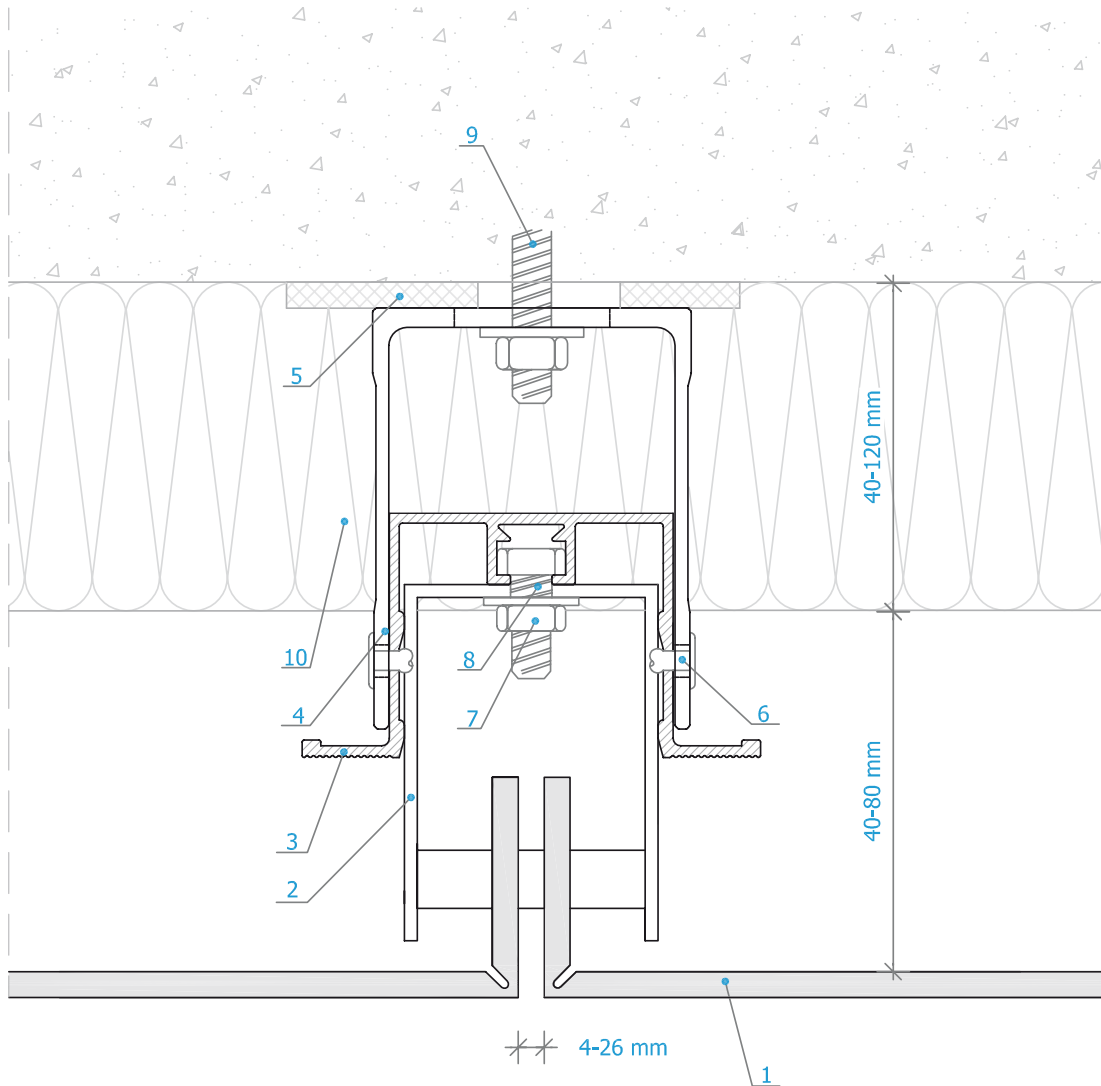
Façade System





etalbond – detail 1

BRAVO



1. etalbond
2. hanger
3. main profile
4. fixing bracket
5. thermo-insulation pad
6. rivet 4.8x12
7. nut M6
8. screw M6x16
9. anchor/plug
10. thermal insulation

etalbond – detail 3

BRAUO

1. etalbond

2. hanger

3. main profile

4. fixing bracket

5. thermo-insulation pad

6. rivet 4.8x12

7. nut M6

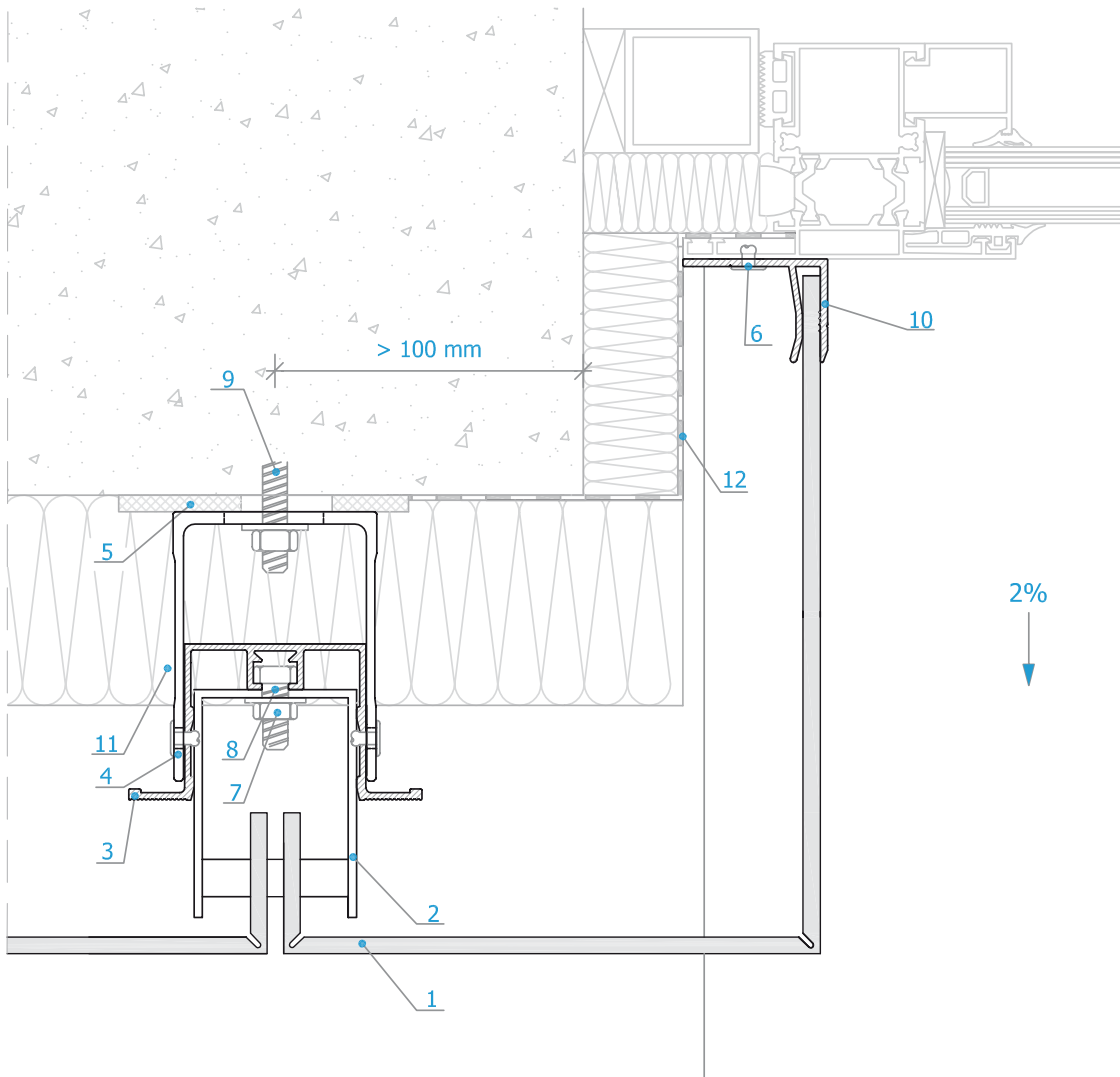
8. screw M6x16

9. anchor/plug

10. F profile

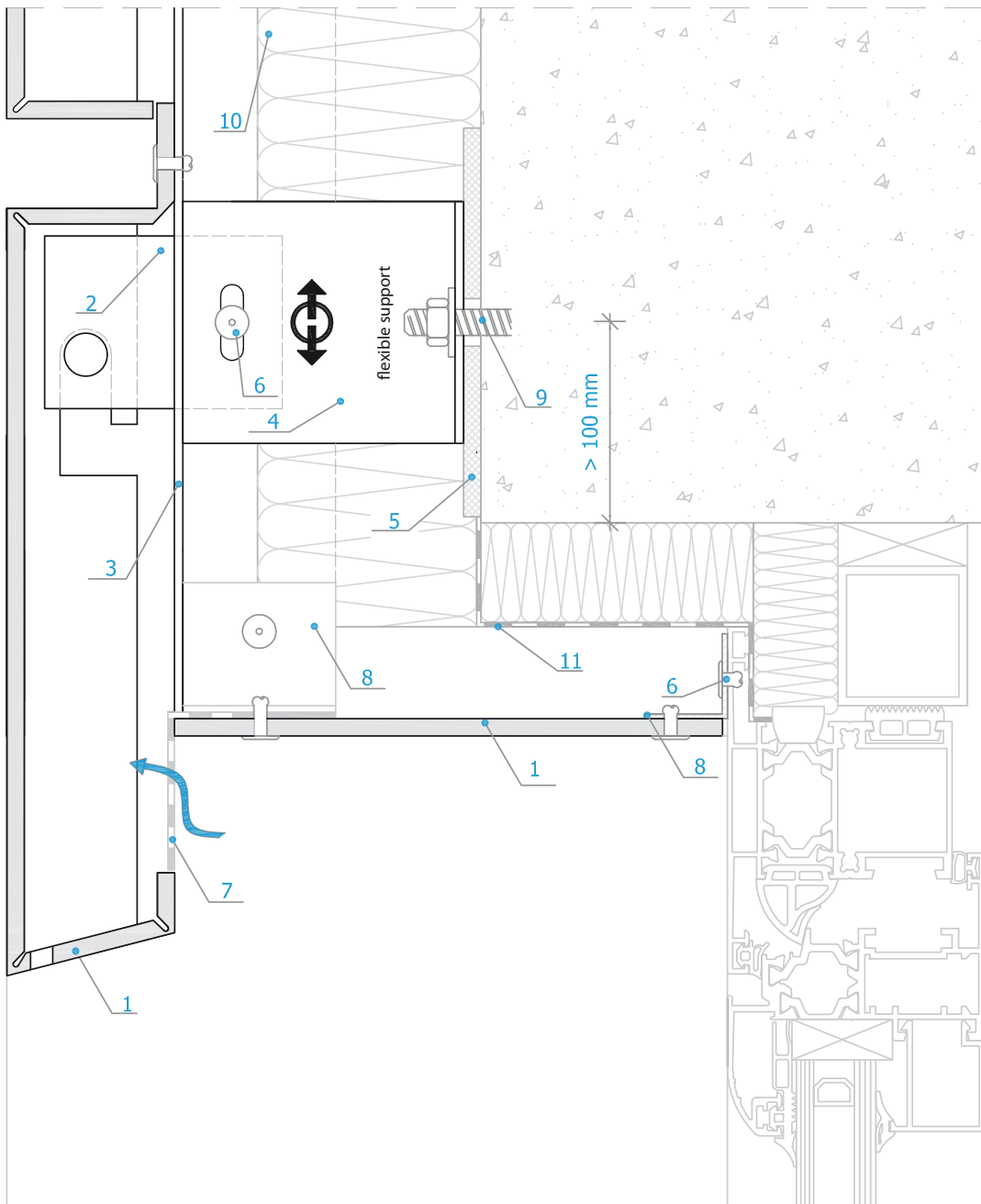
11. thermal insulation

12. waterproofing



etalbond – detail 4

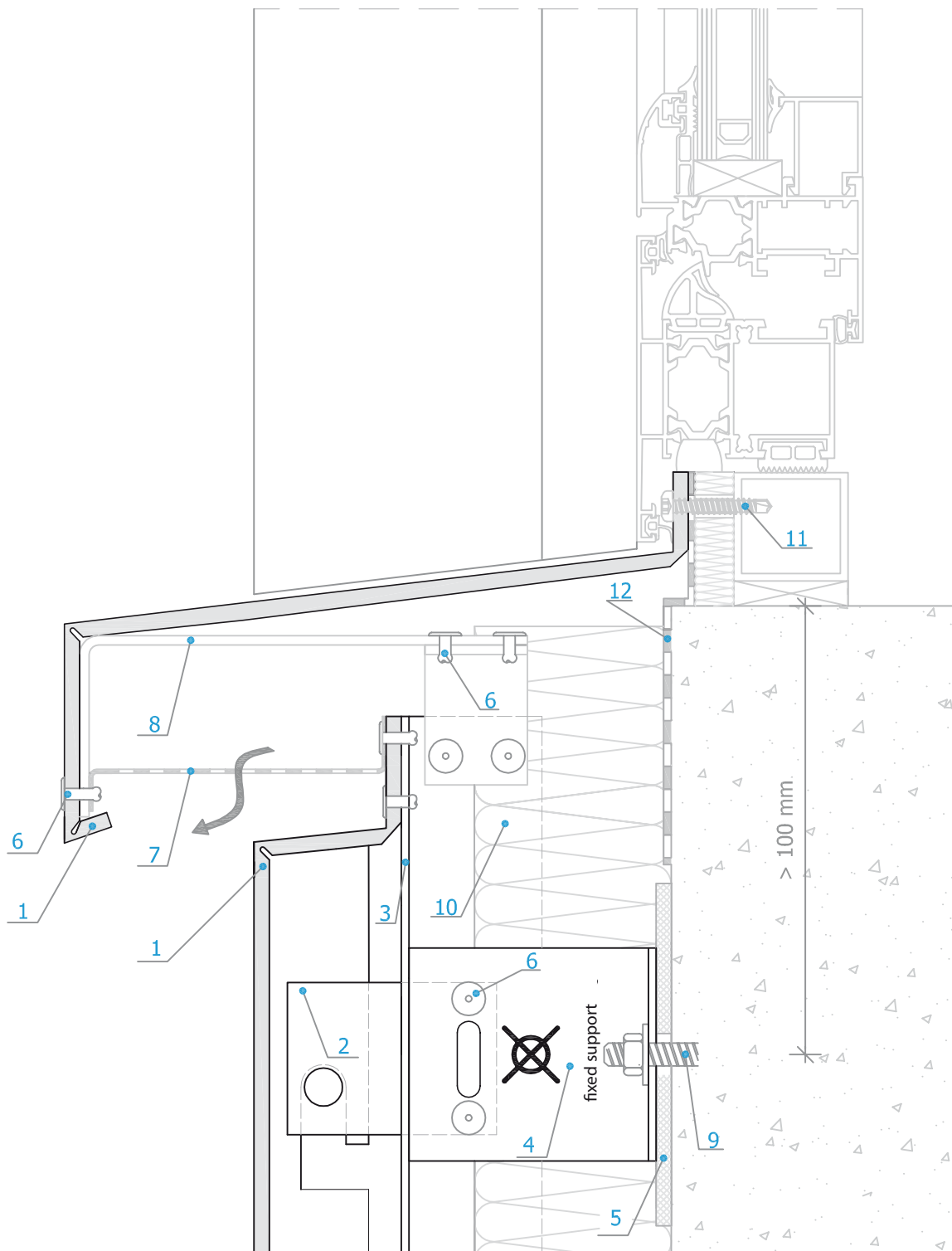
BRAVO



1. etalbond
2. hanger
3. main profile
4. fixing bracket
5. thermo-insulation pad
6. rivet 4.8x12
7. perforated metal sheet
8. L profile
9. anchor/dubel
10. thermal insulation
11. waterproofing

etalbond – detail 5

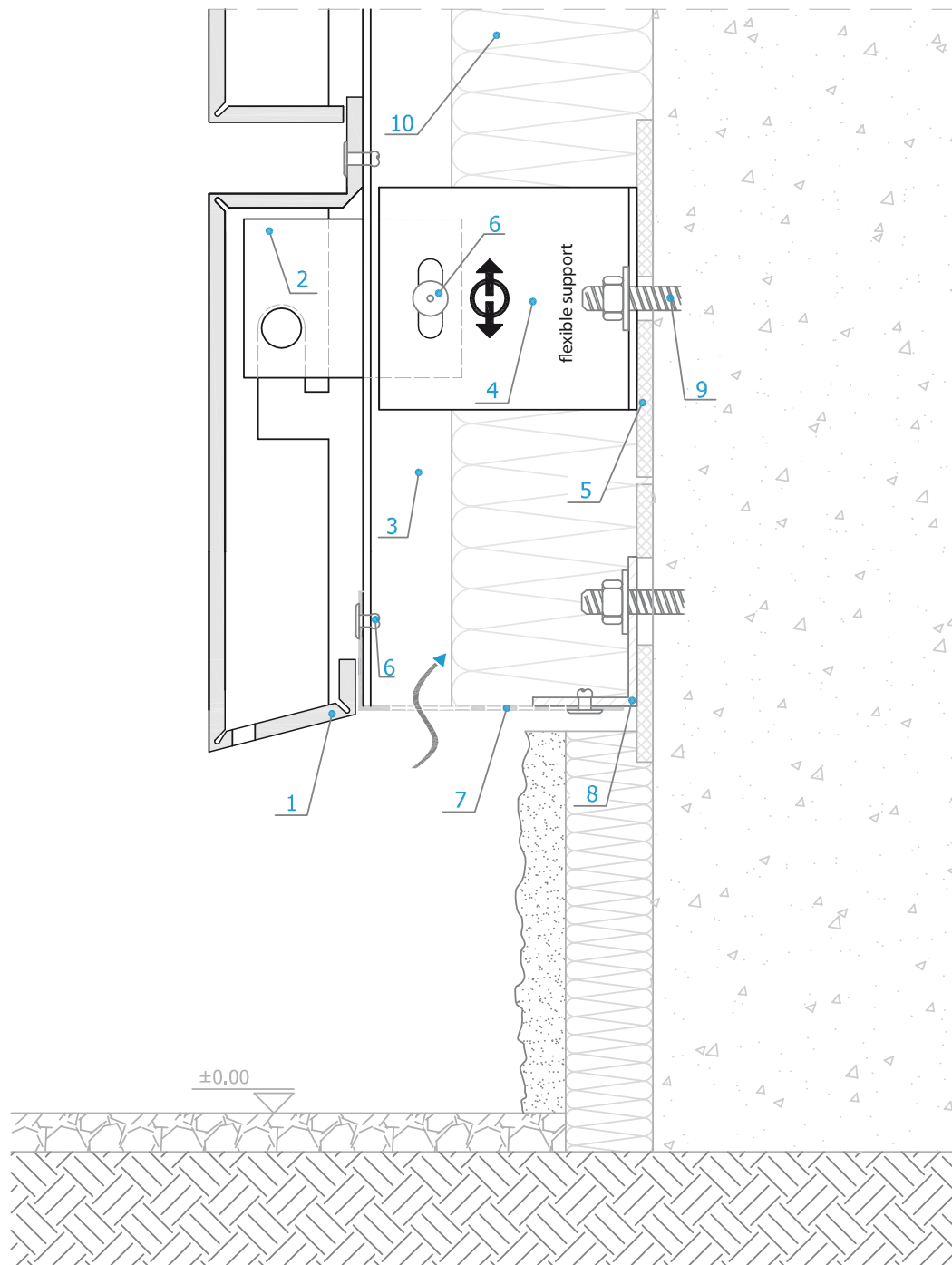
BRAVO



1. etalbond
2. hanger
3. main profile
4. fixing bracket
5. thermo-insulation pad
6. rivet 4.8x12
7. perforated metal sheet
8. aluminum sheet
9. anchor/dubel
10. thermal insulation
11. self drilling screw 4.2x16
12. waterproofing

etalbond – detail 6

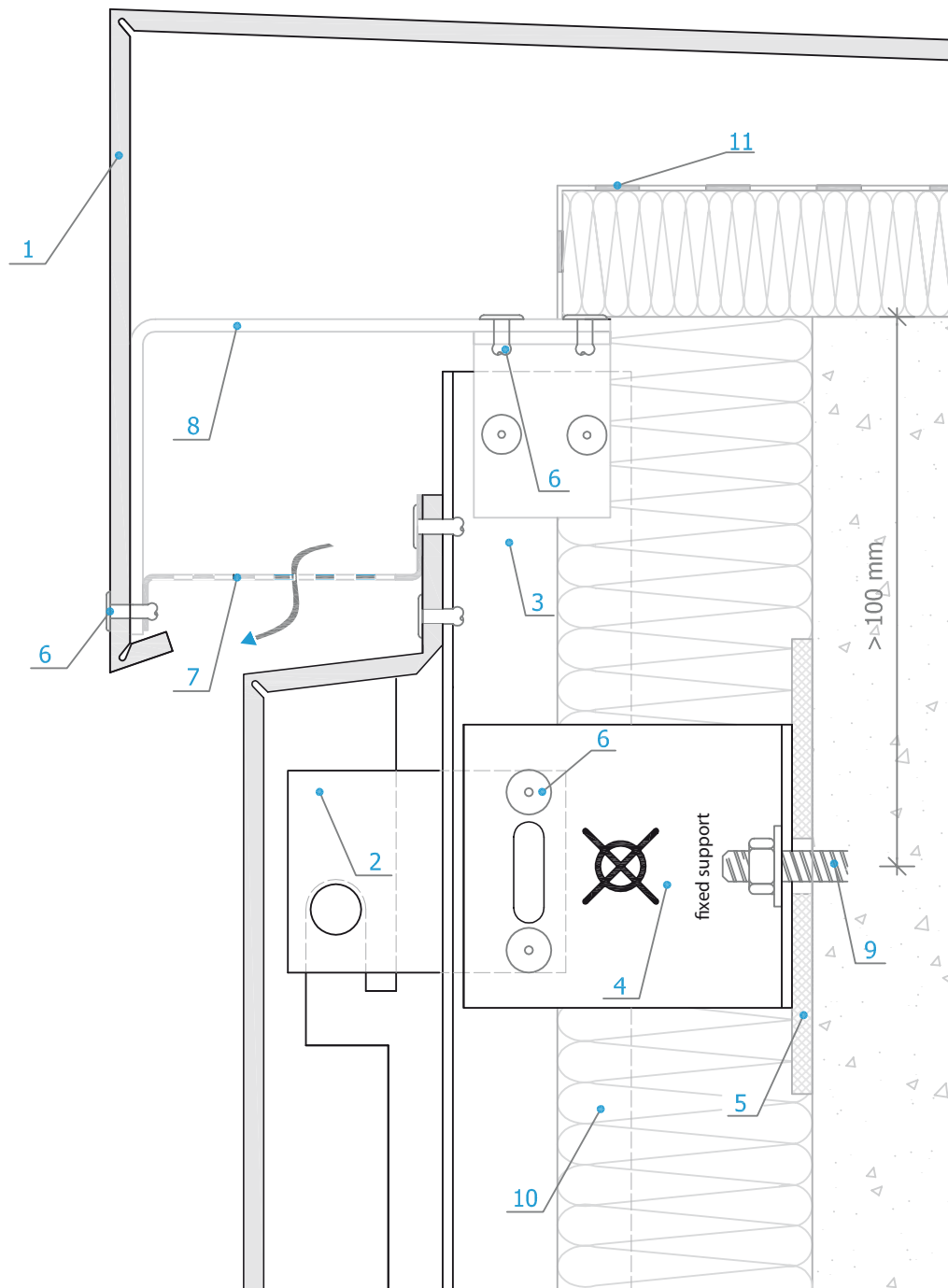
BRAVO



1. etalbond
2. hanger
3. main profile
4. fixing bracket
5. thermo-insulation pad
6. rivet 4.8x12
7. perforated metal sheet
8. L profile
9. anchor/dubel
10. thermal insulation

etalbond – detail 7

BRAUO

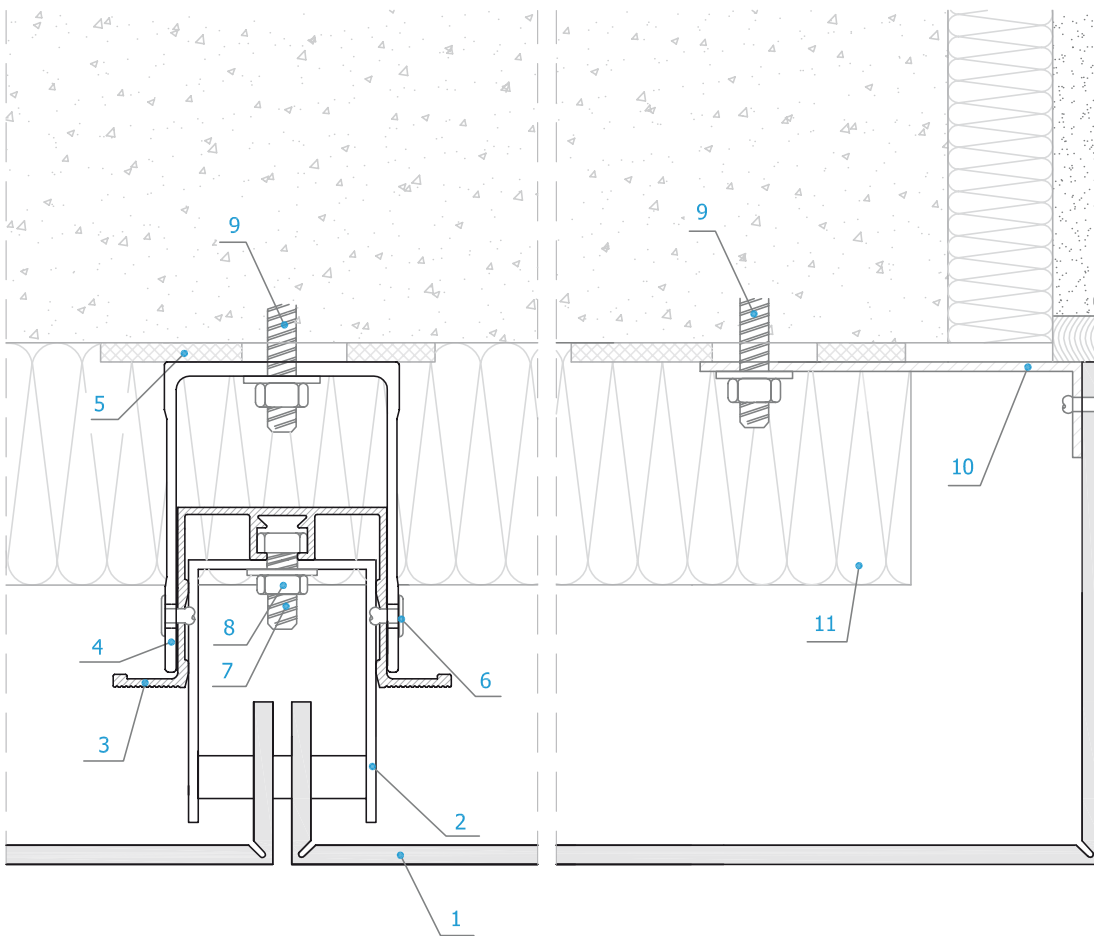


1. etalbond
2. hanger
3. main profile
4. fixing bracket
5. thermo-insulation pad
6. rivet 4.8x12
7. perforated metal sheet
8. aluminum sheet
9. anchor/ dubel
10. thermal insulation
11. waterproofing

etalbond – detail 8

BRAVO

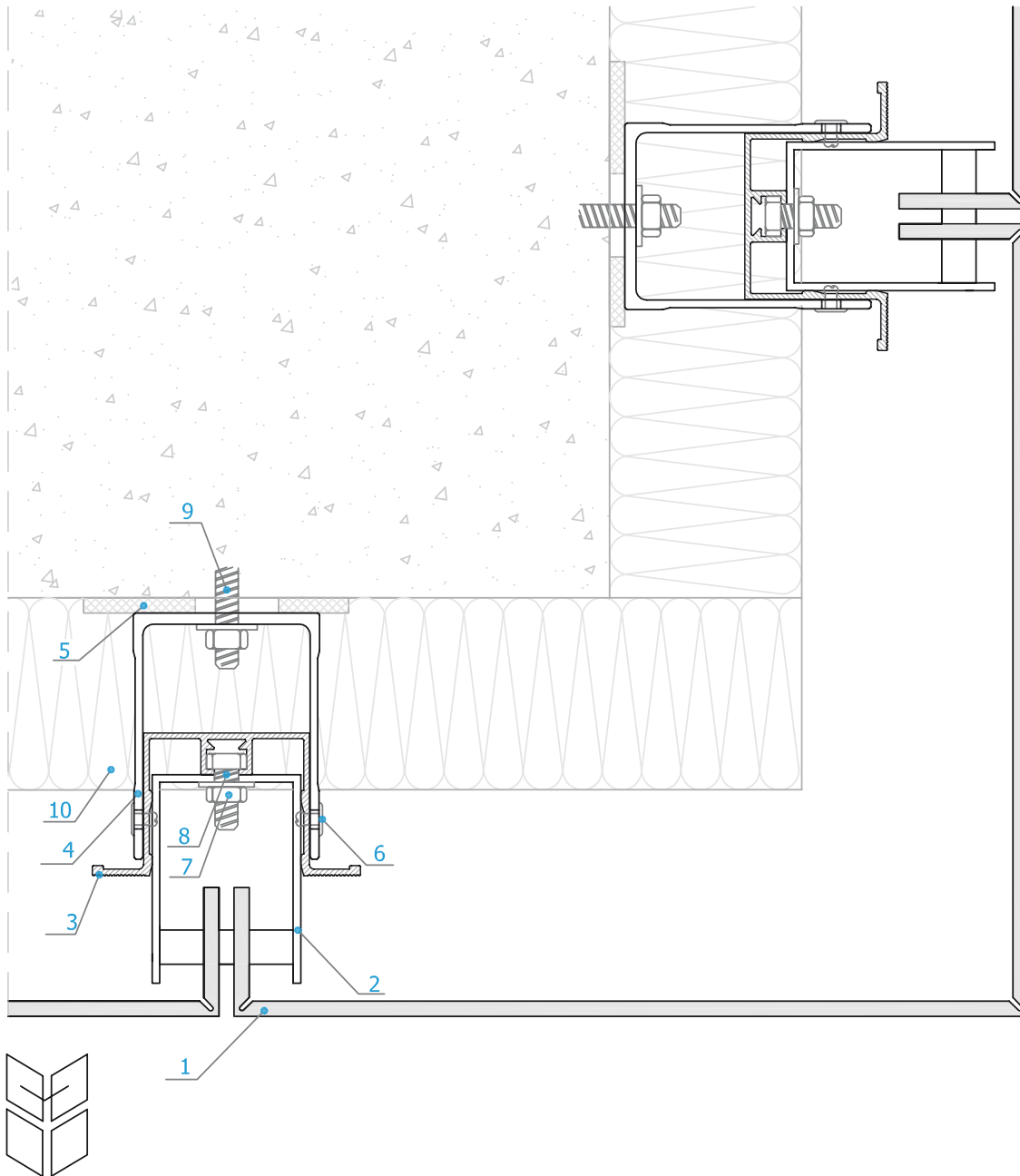
1. etalbond
2. hanger
3. main profile
4. fixing bracket
5. thermo-insulation pad
6. rivet 4.8x10
7. nut M6
8. screw M6x16
9. anchor/dubel
10. L profile
11. thermal insulation



etalbond – detail 9

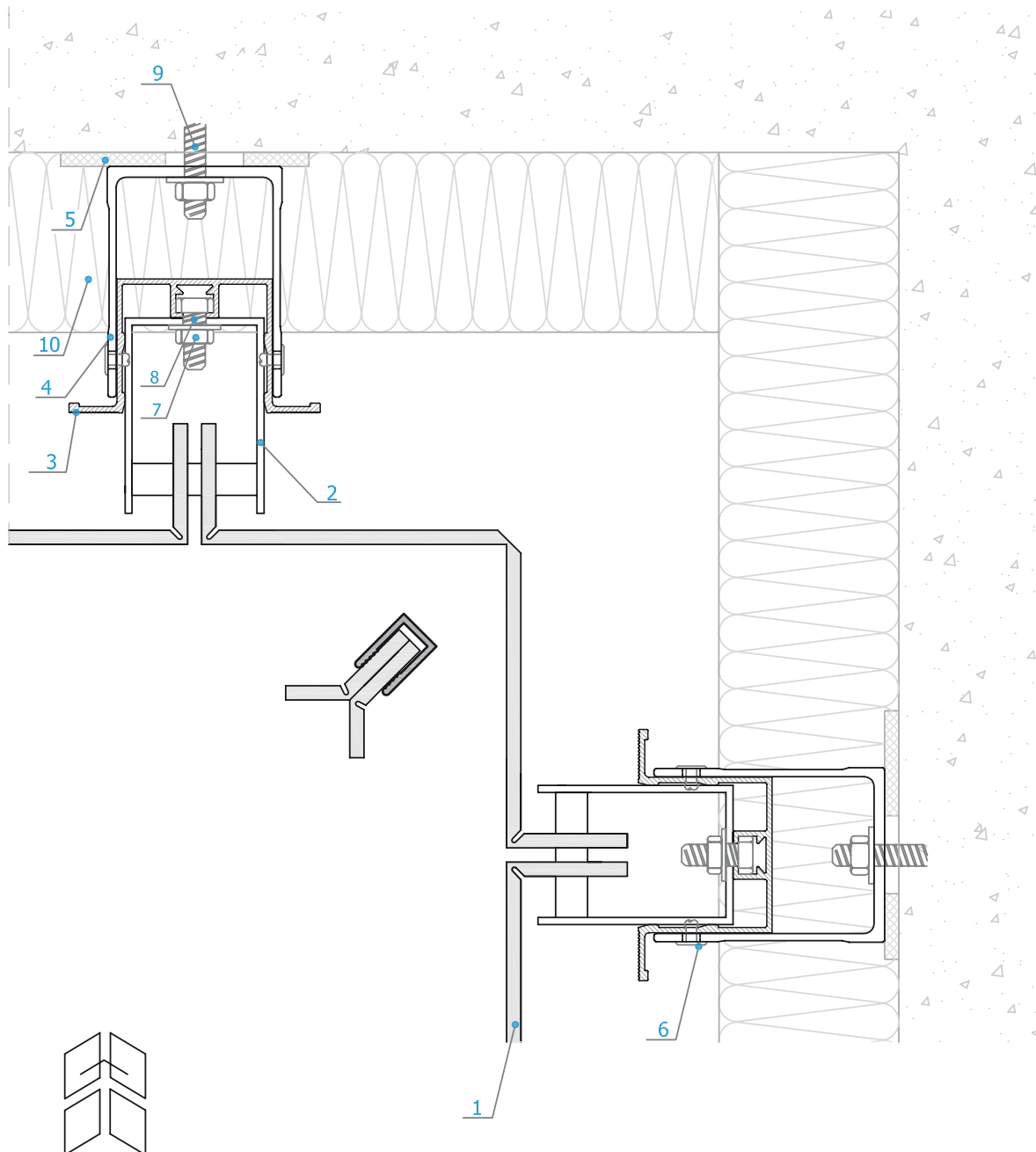
BRAVO

1. etalbond
2. hanger
3. main profile
4. fixing bracket
5. thermo-insulation pad
6. rivet 4.8x12
7. nut M6
8. screw M6x16
9. anchor/ dubel
10. thermal insulation



etalbond – detail 10

BRAVO



1. etalbond

2. hanger

3. main profile

4. fixing bracket

5. thermo-insulation pad

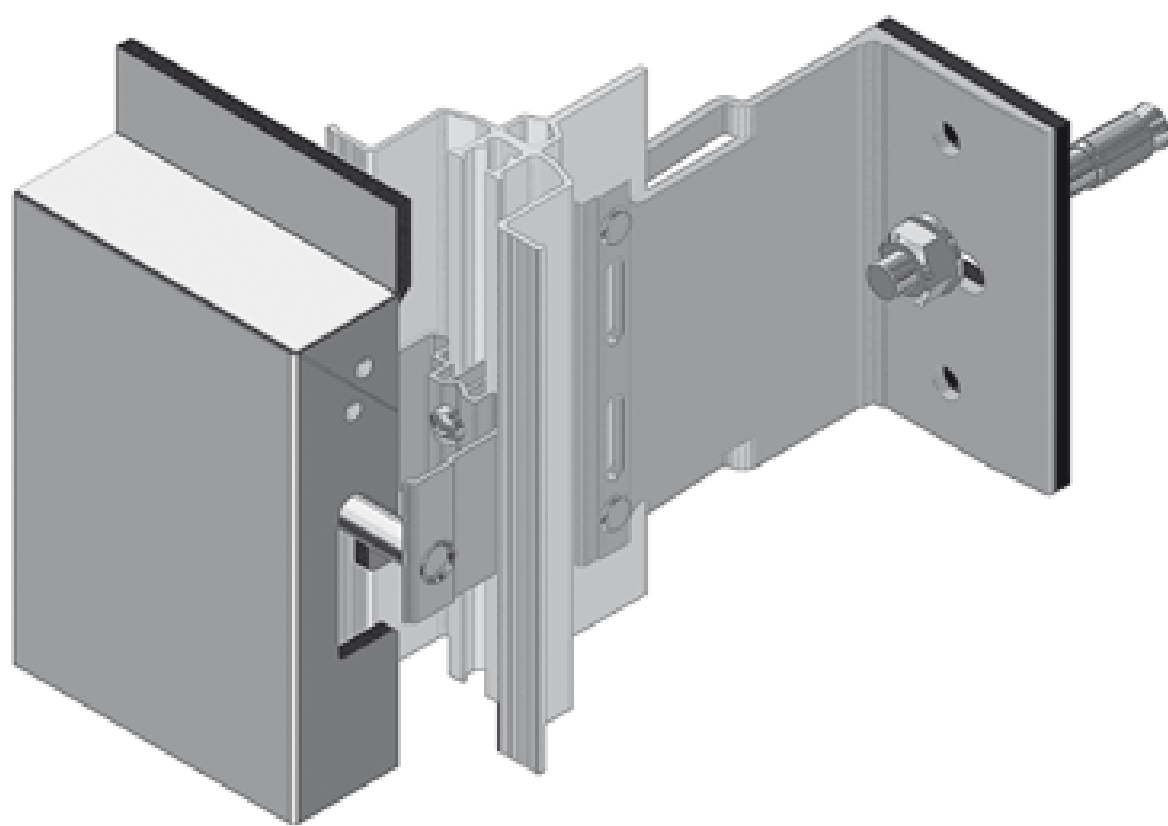
6. rivet
4.8x12

7. nut M6

8. screw
M6x16

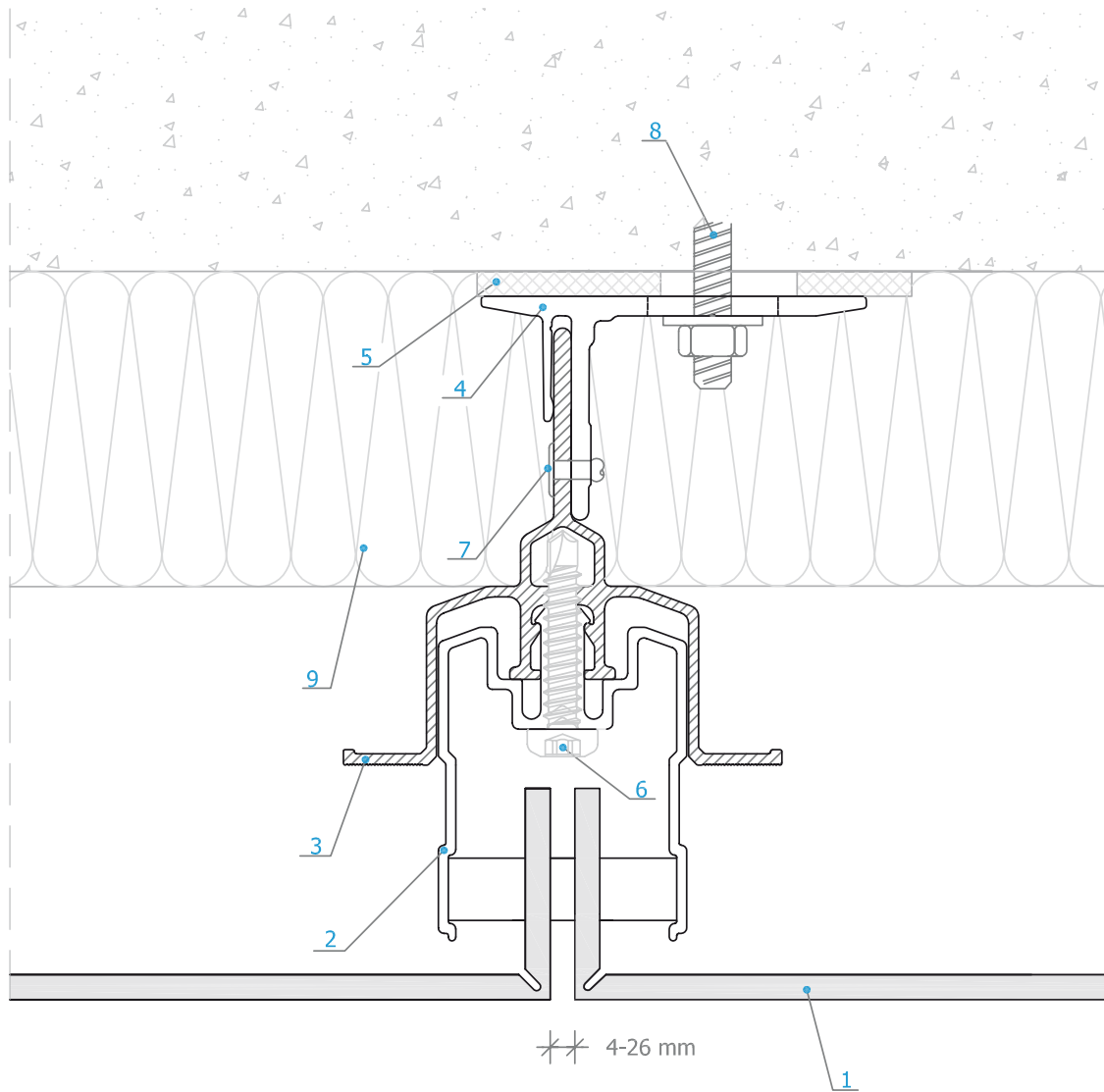
9. anchor/
dubel

10. thermal
insulation



etalbond – detail 1

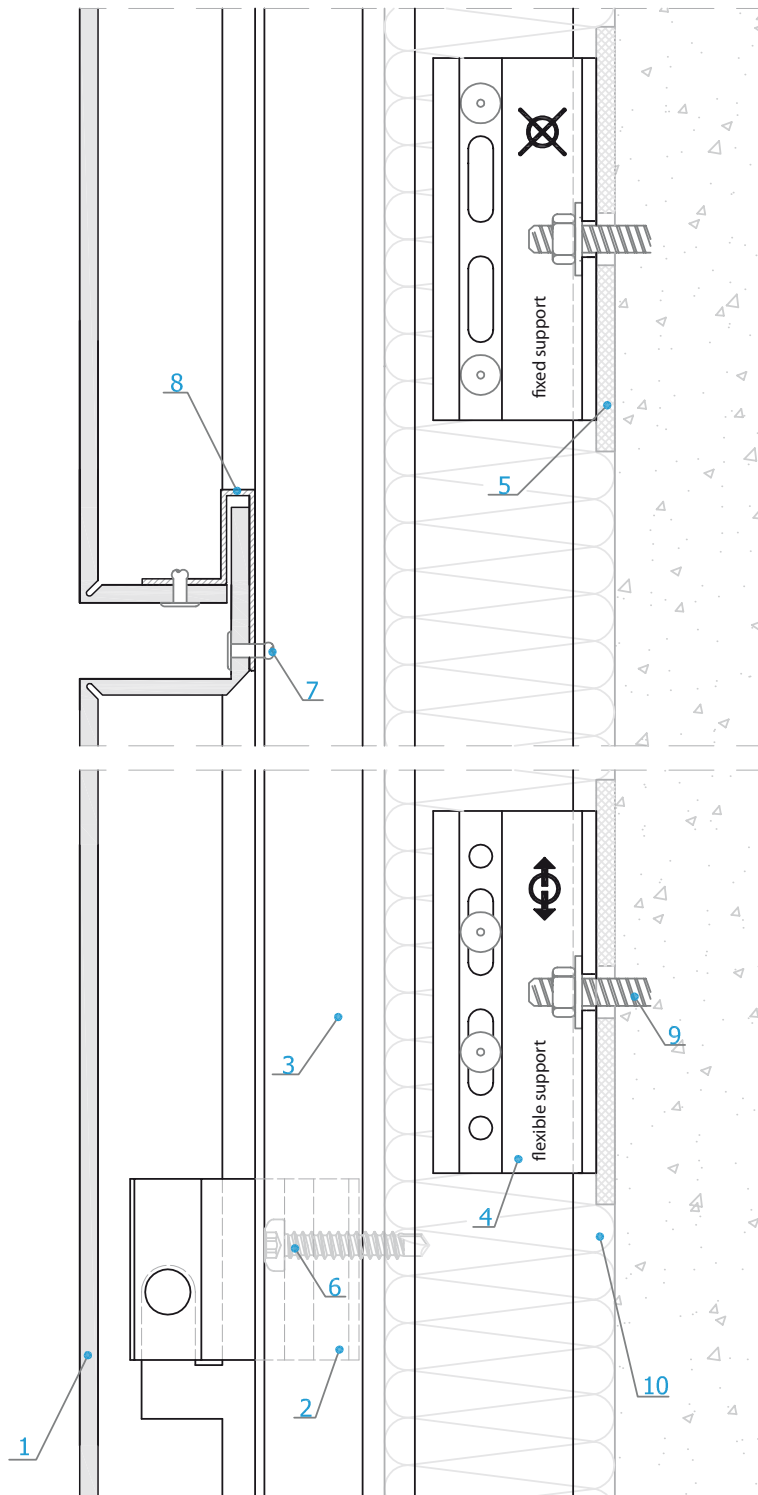
BRAVO



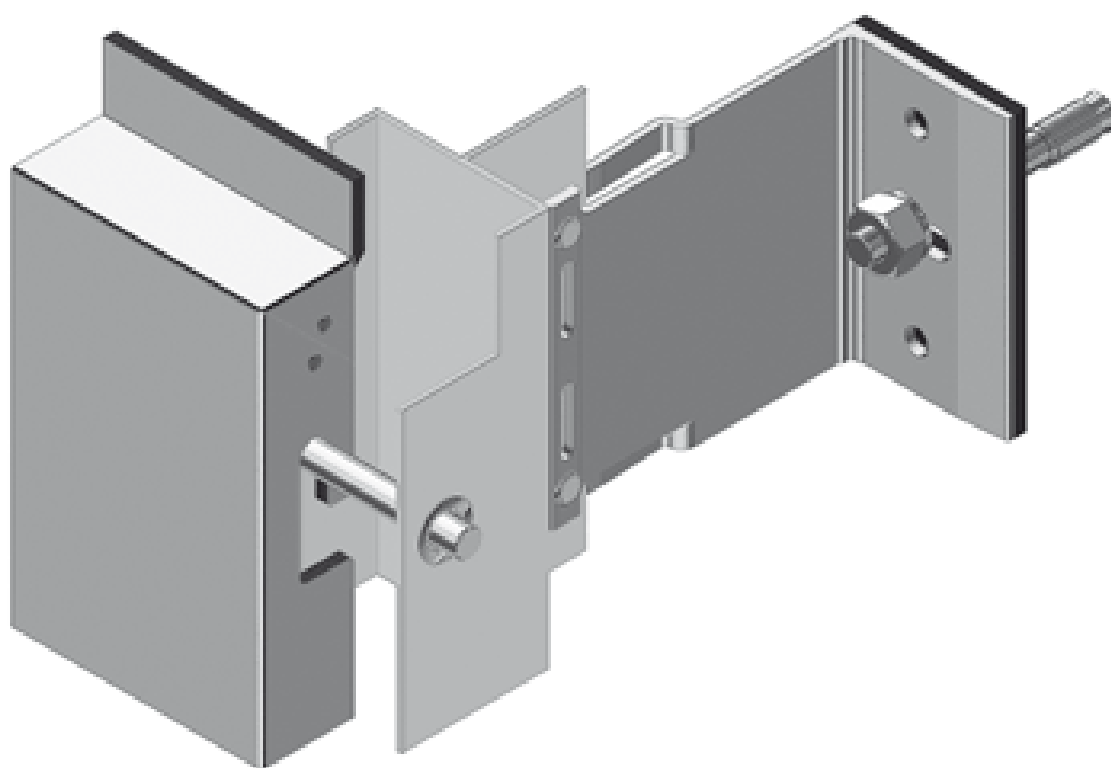
1. etalbond
2. hanger
3. main profile
4. fixing bracket
5. thermo-insulation pad
6. self drilling screw 4.8x32
7. rivet 4.8x12
8. anchor/dubel
9. thermal insulation

etalbond – detail 2

BRAVO

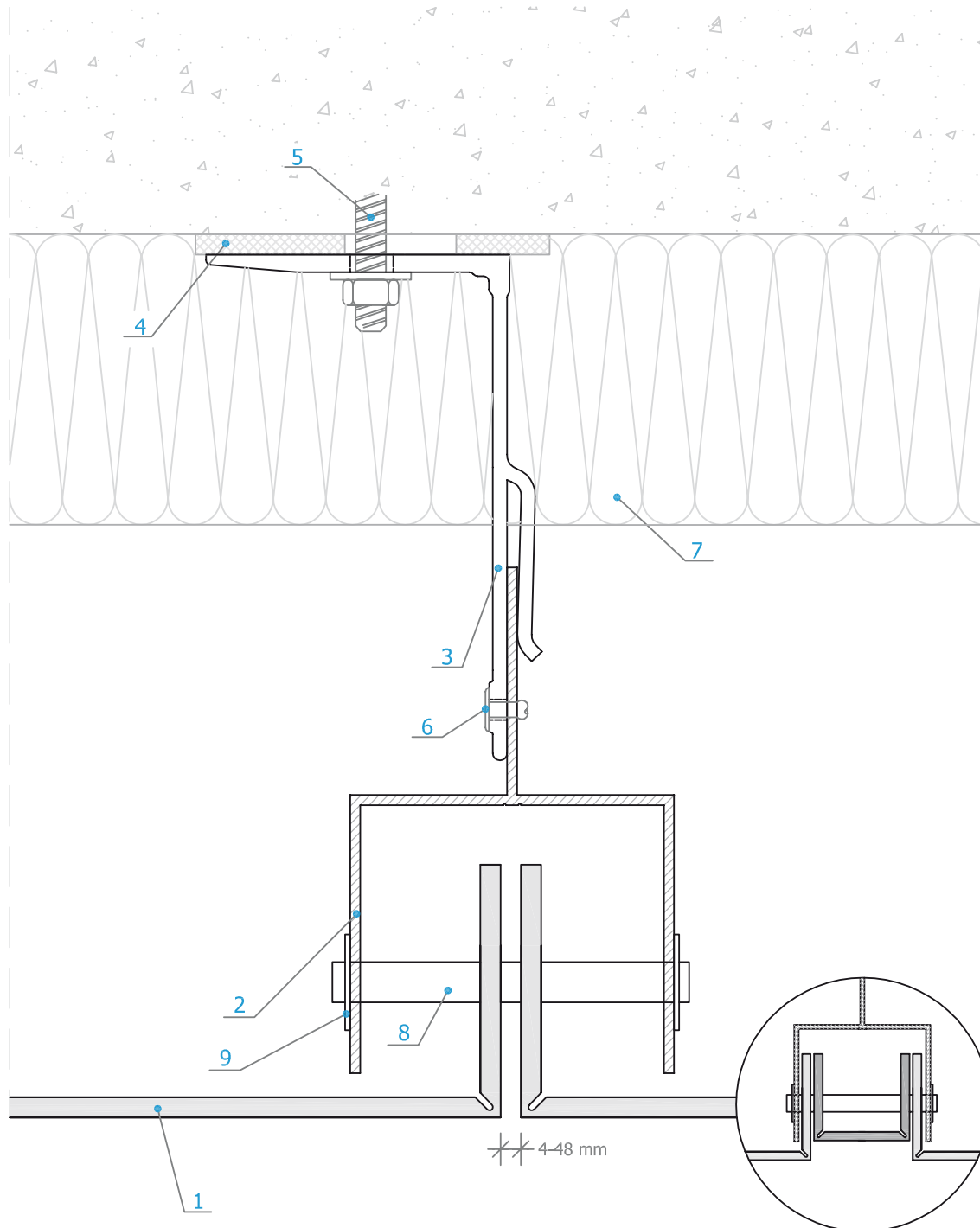


1. etalbond
2. hanger
3. main profile
4. fixing bracket
5. thermo-insulation pad
6. self drilling screw 4.8x32
7. rivet 4.8x12
8. supporting profile
9. anchor/ dubel
10. thermal insulation



etalbond – detail 1

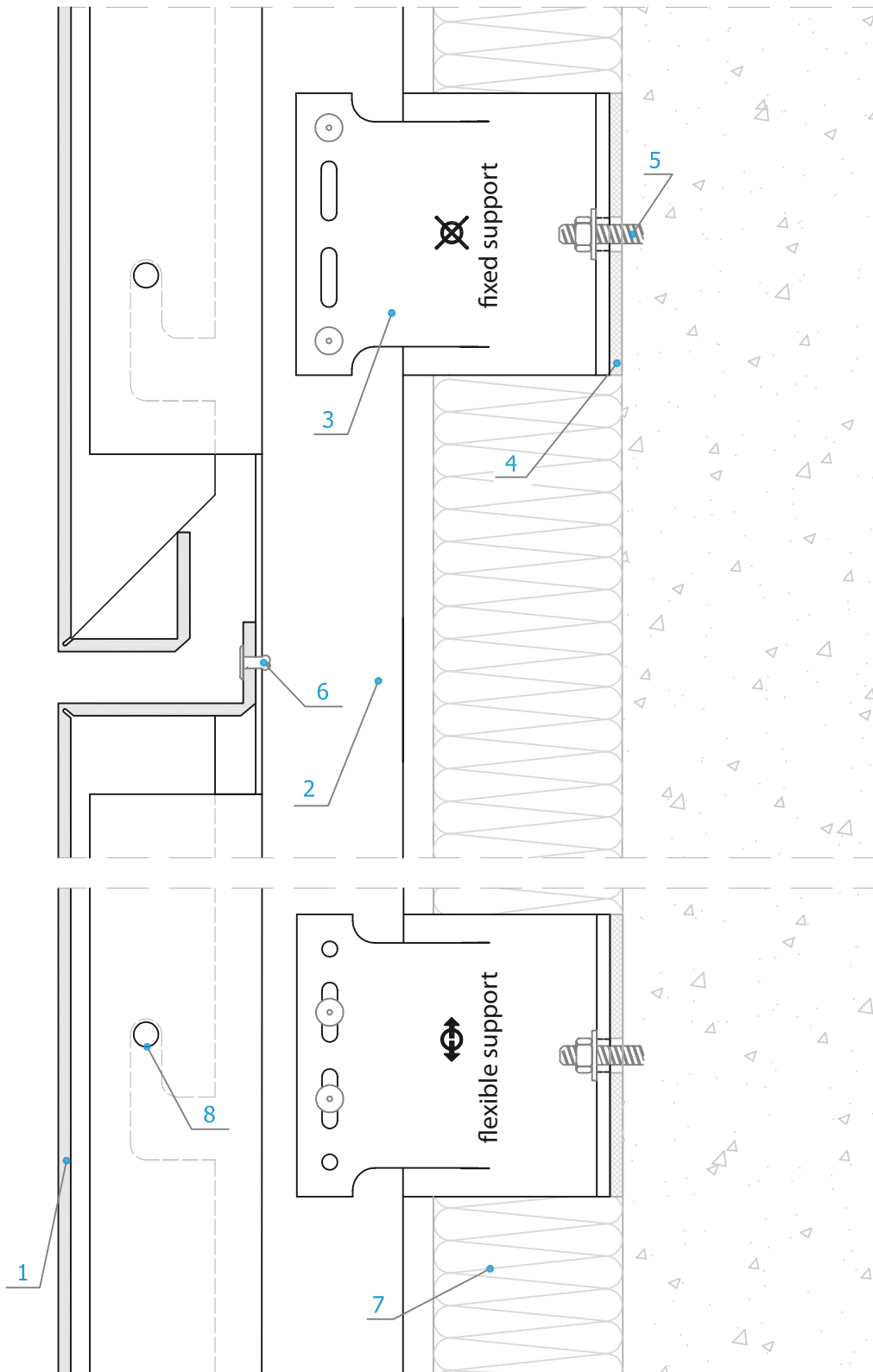
BRAVO



1. etalbond
2. main profile
3. fixing bracket
4. thermo-insulation pad
5. anchor/plug
6. rivet 4.8x12
7. thermal insulation
8. hanger - steel tube $\varnothing 10 \times 1.5$
9. security washer

etalbond – detail 2

BRAVO



1. etalbond
2. main profile
3. fixing bracket
4. thermo-insulation pad
5. anchor/plug
6. rivet 4.8x12
7. thermal insulation
8. hanger-steel tube $\varnothing 10 \times 1.5$

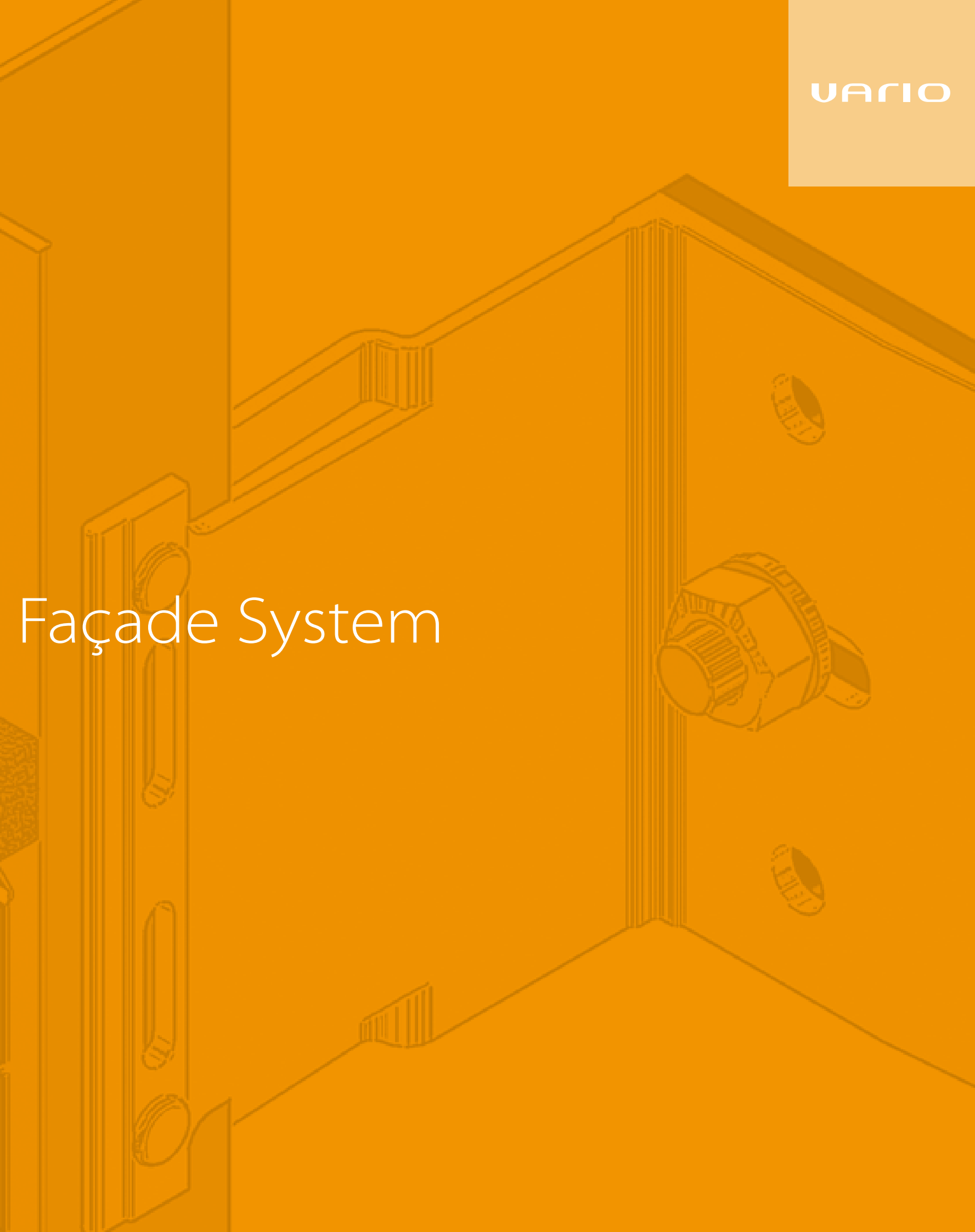


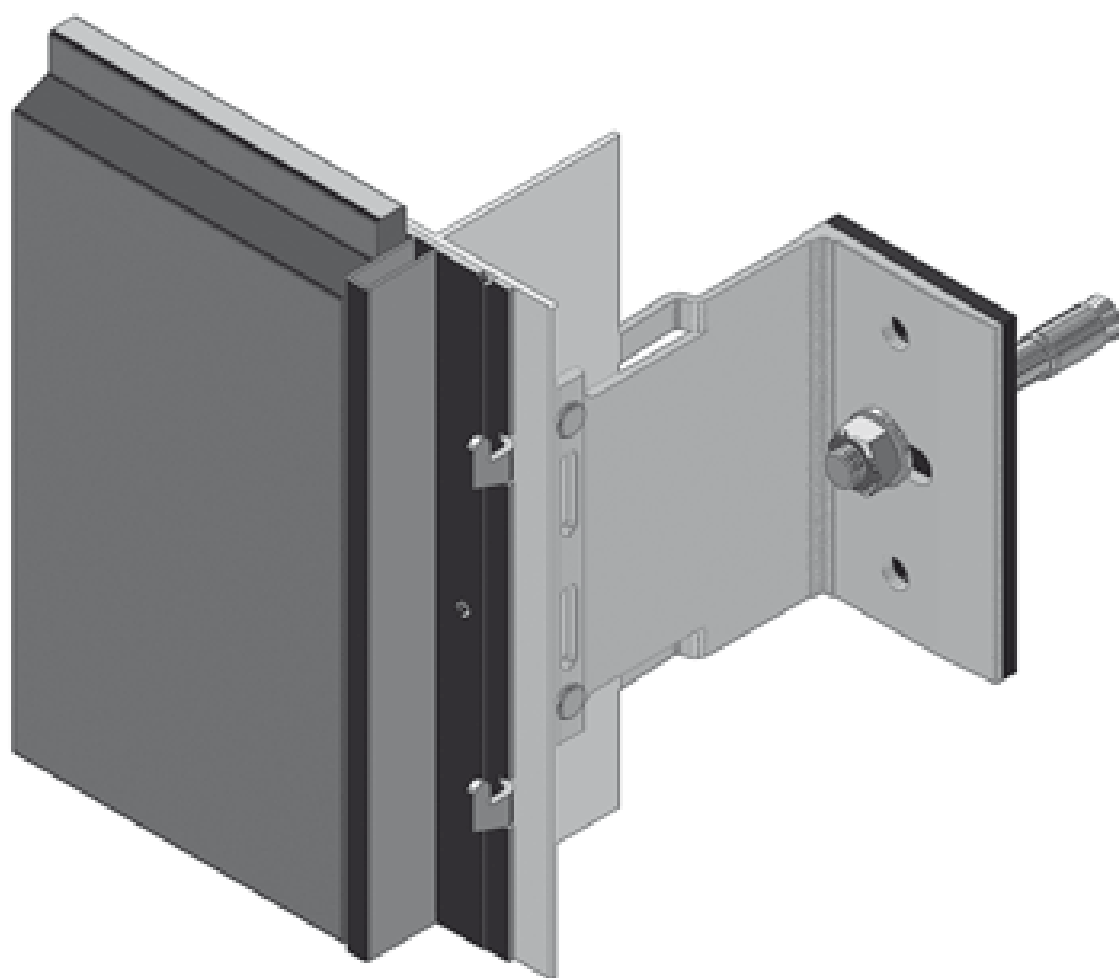
Ventilated

The image is a technical cross-section diagram of a window frame, rendered in a light orange color. It shows the internal structure of the window, including the frame, the glass pane, and the ventilation mechanism. A central component is a rectangular block with a porous, honeycomb-like texture, likely representing a filter or a ventilation element. The diagram illustrates how air can flow through the window frame, with arrows indicating the direction of airflow. The word 'Ventilated' is written in white text over the diagram.

VARIO

Façade System

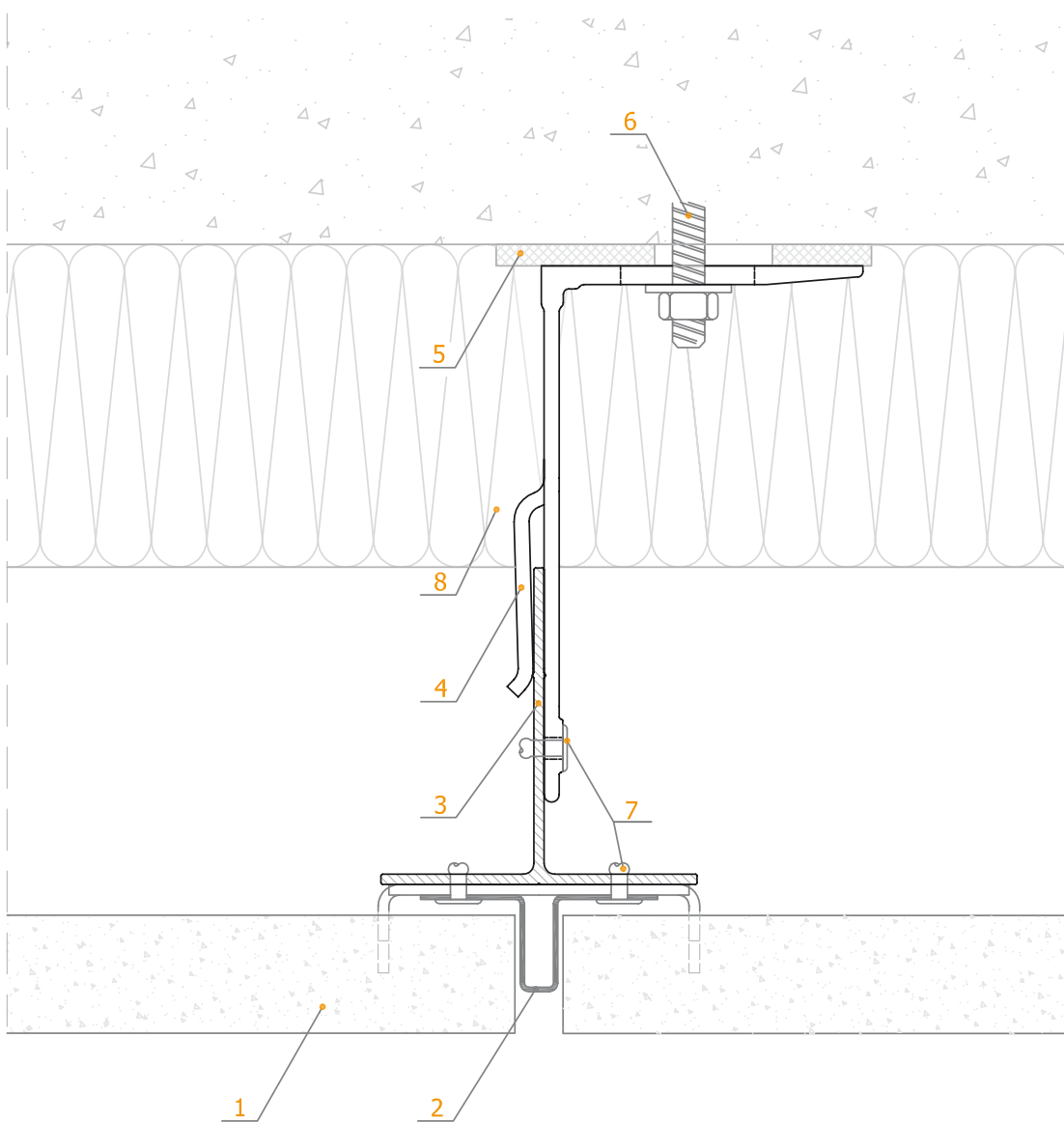




ceramic – detail 1

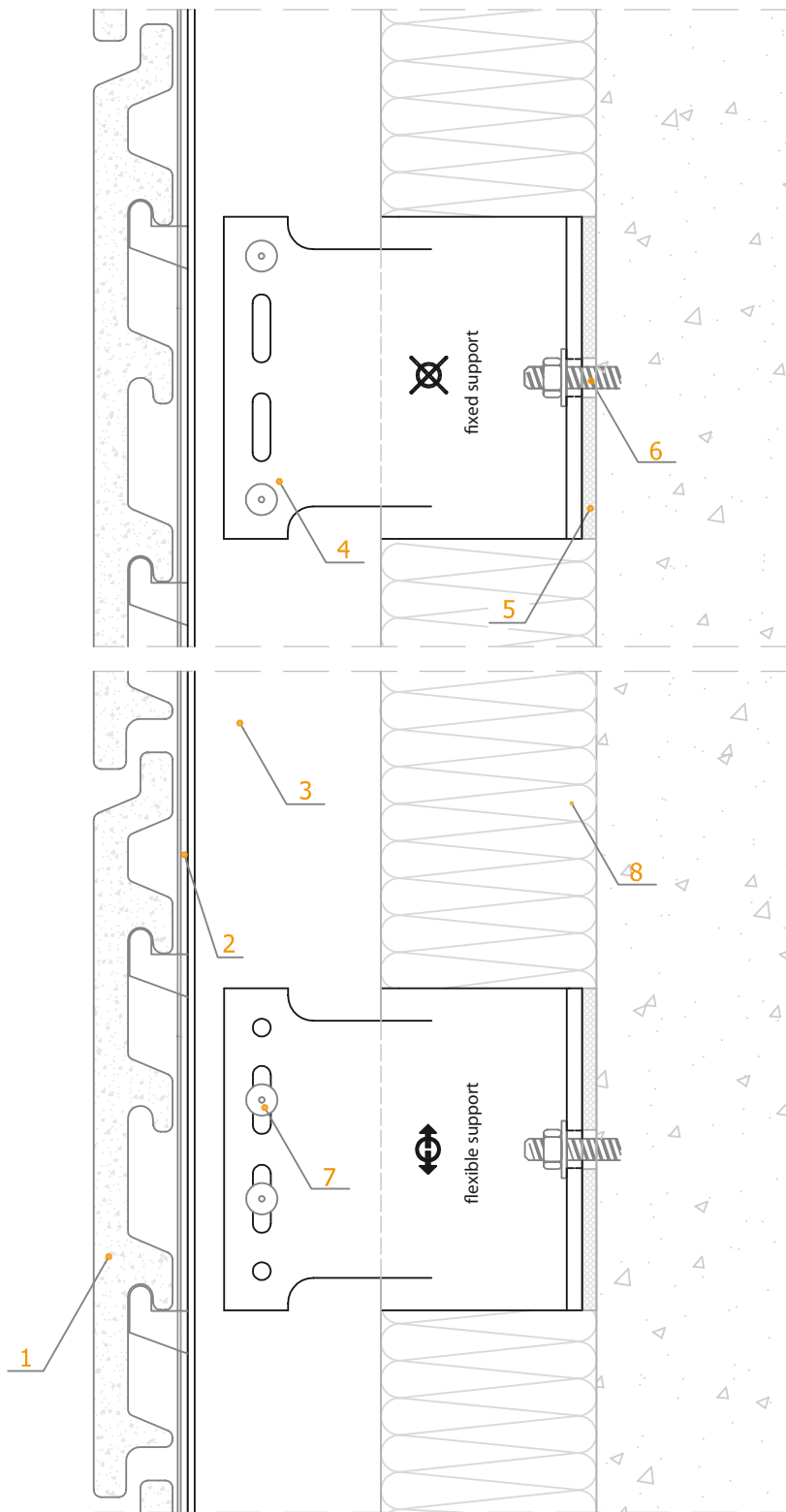
VARIO

1. ceramic
Creaton
2. base clinch
rail profile
3. main
profile
4. fixing
bracket
5. thermo-
insulation
pad
6. anchor/
plug
7. rivet
4.8x12
8. thermal
insulation



ceramic – detail 2

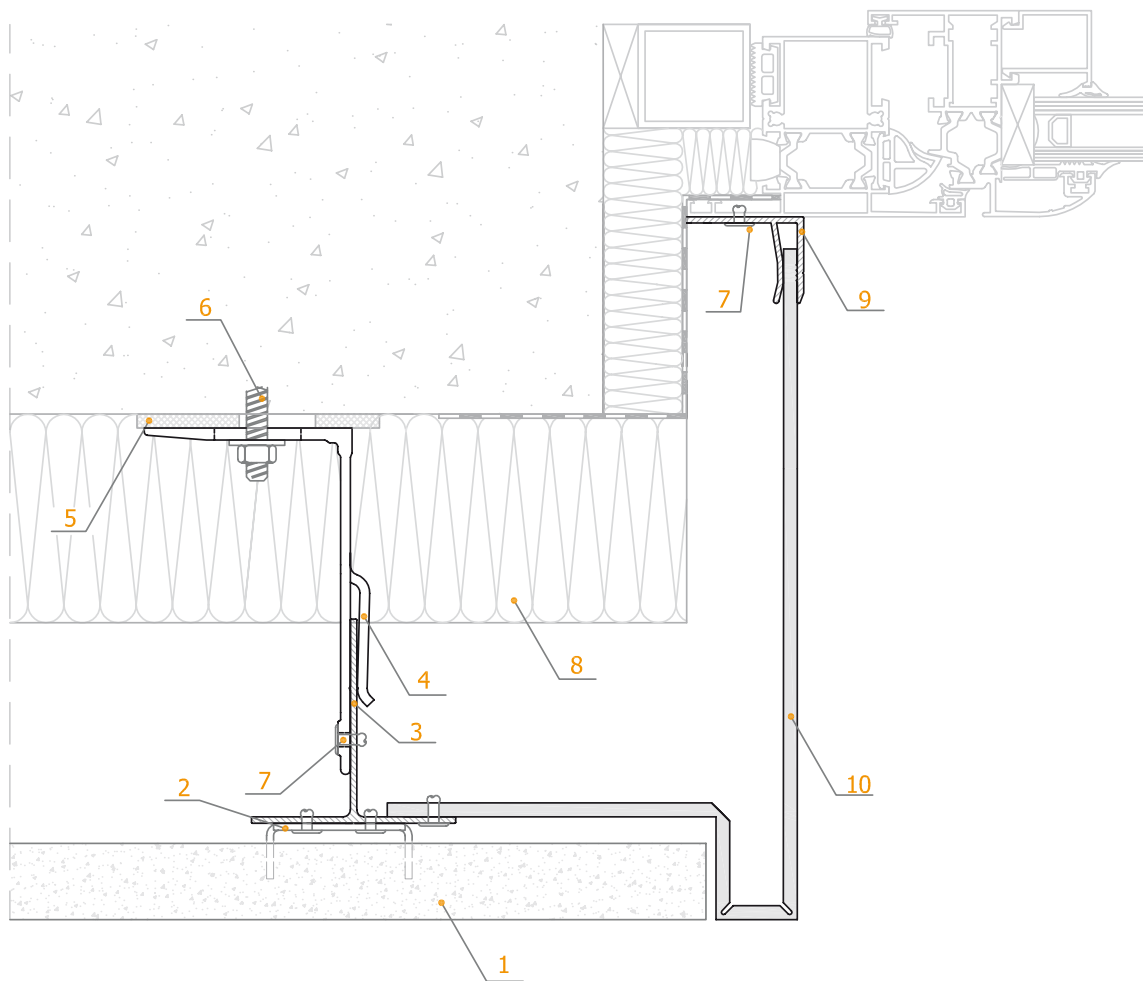
VARIO



- 1. ceramic Creaton
- 2. base clinch rail profile
- 3. main profile
- 4. fixing bracket
- 5. thermo-insulation pad
- 6. anchor/plug
- 7. rivet 4.8x12
- 8. thermal insulation

ceramic – detail 3

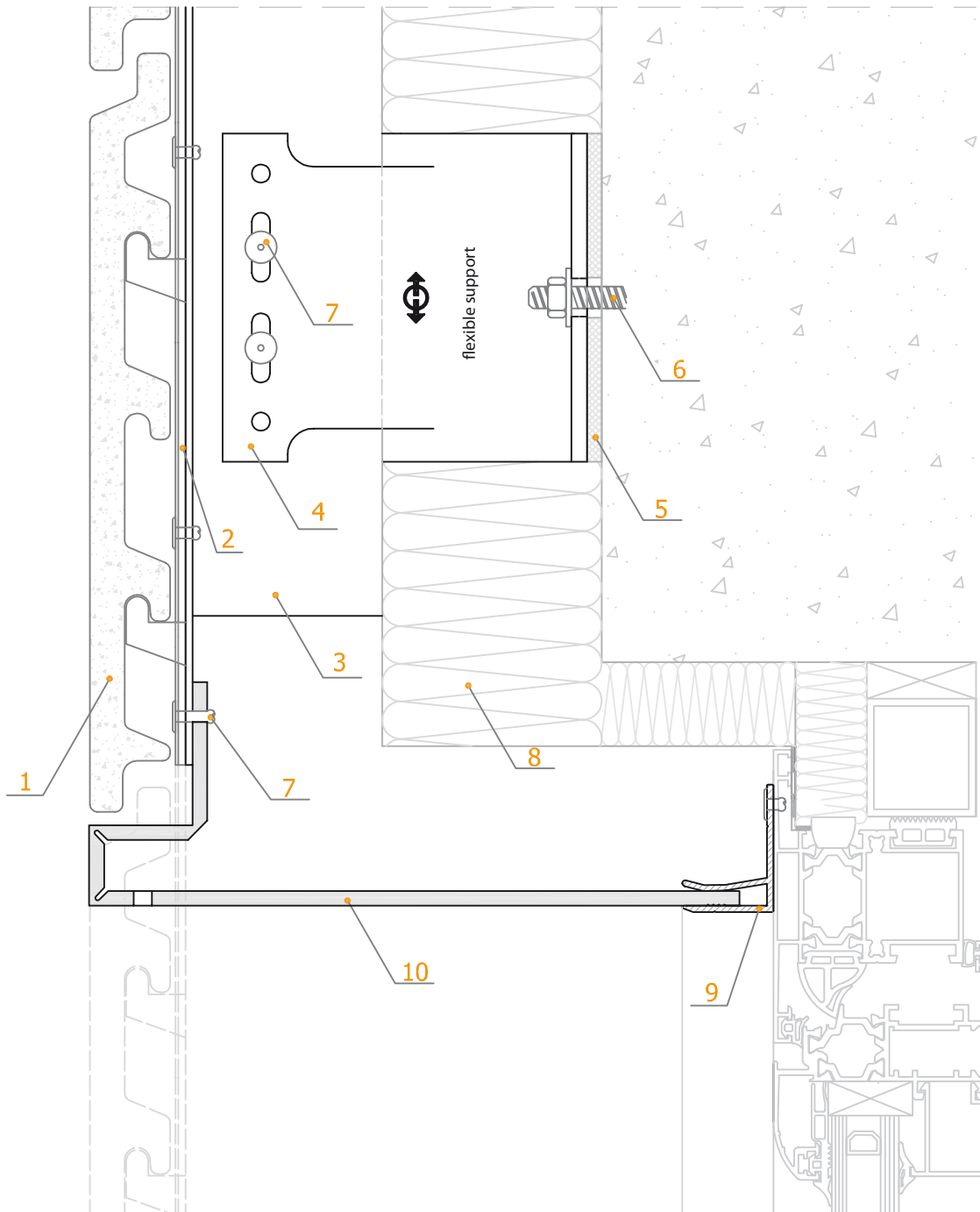
UARIO



1. ceramic
Creaton
2. base clinch
rail profile
3. main
profile
4. fixing
bracket
5. thermo-
insulation
pad
6. anchor/
plug
7. rivet
4.8x12
8. thermal
insulation
9. F profile
10. etalbond

ceramic – detail 4

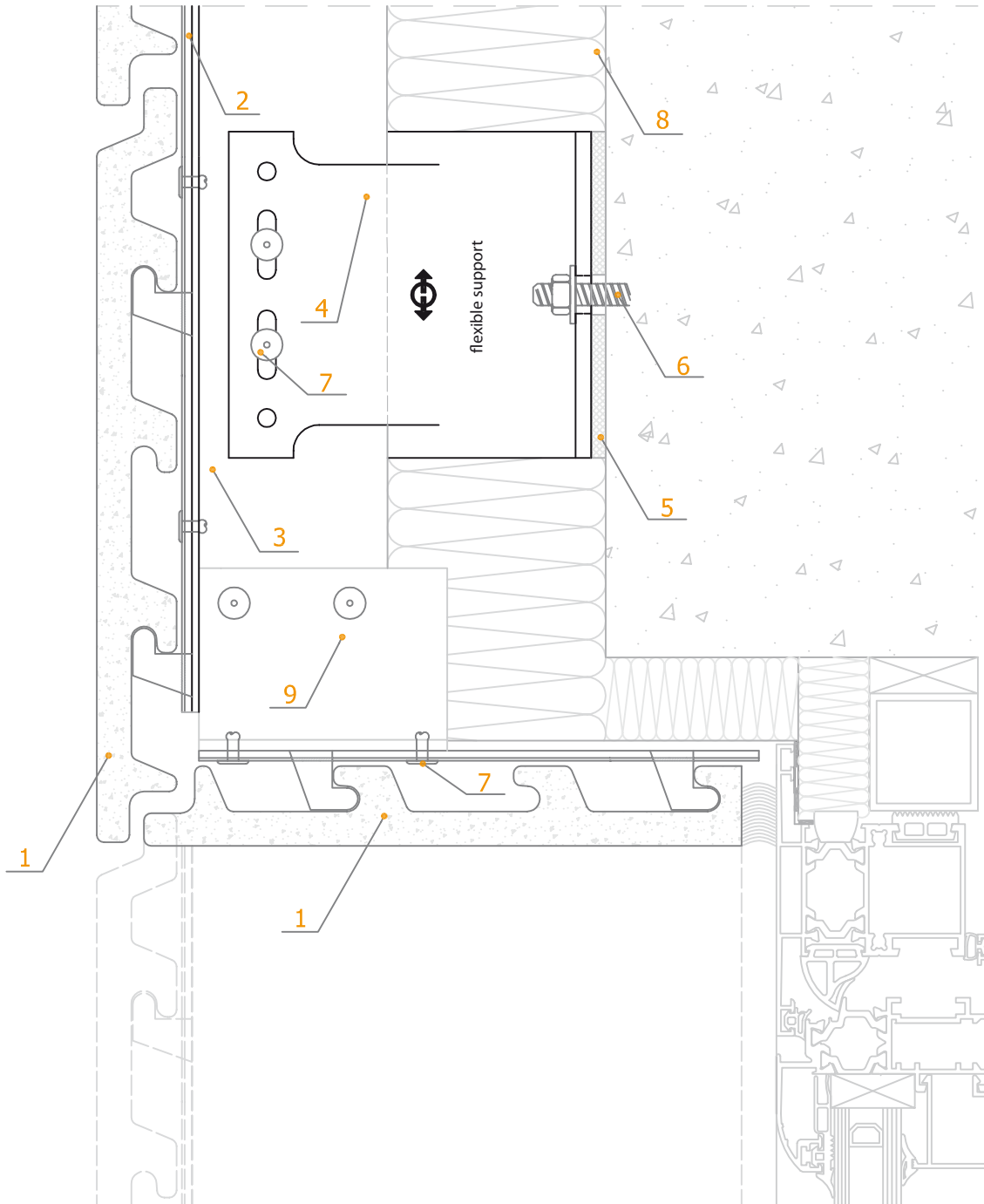
VARIO



1. ceramic
Creaton
2. base clinch
rail profile
3. main
profile
4. fixing
bracket
5. thermo-
insulation
pad
6. anchor/
plug
7. rivet
4.8x12
8. thermal
insulation
9. F profile
10. etalbond

ceramic – detail 4

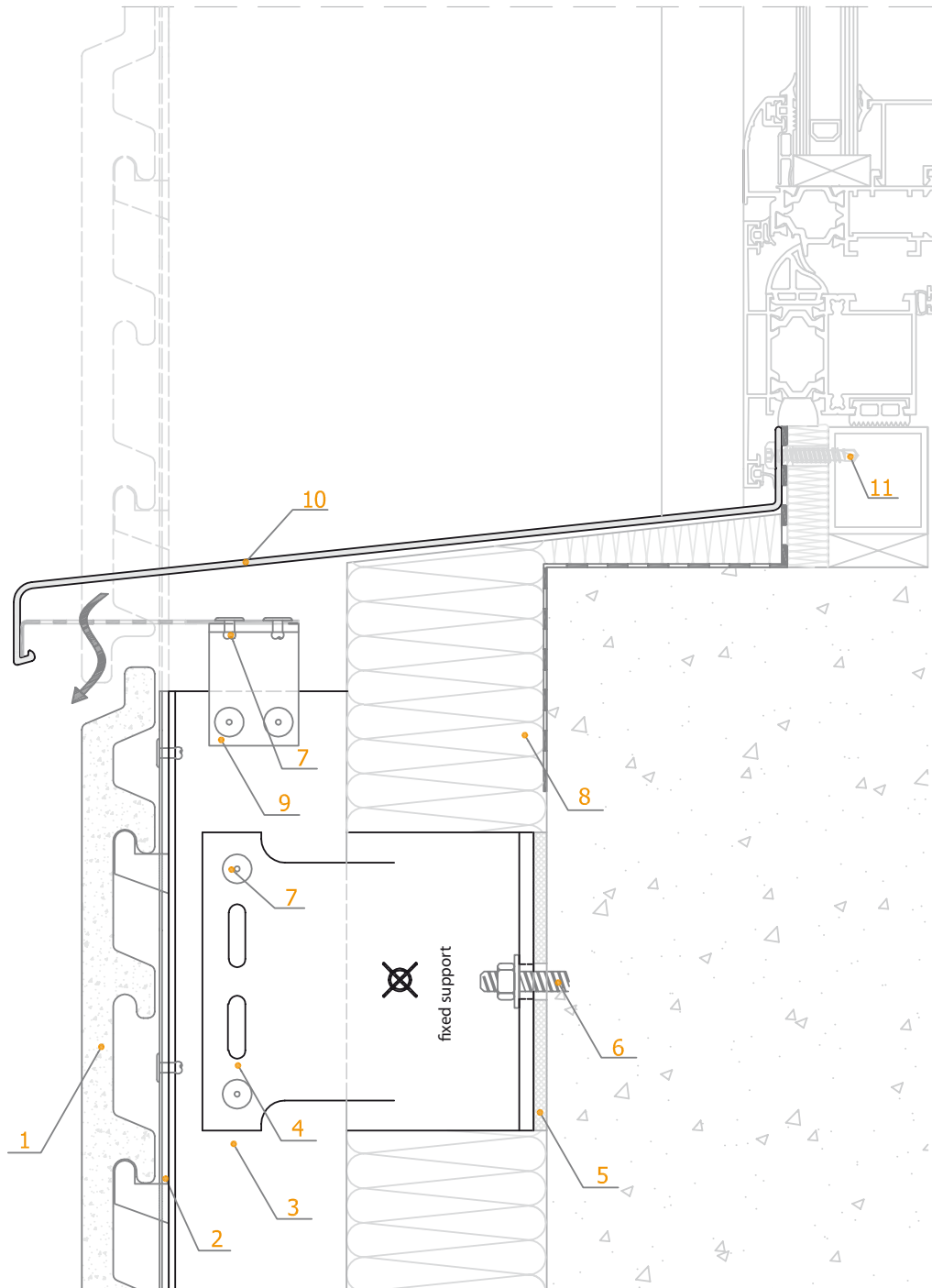
VARIO



1. ceramic
Creaton
2. base clinch
rail profile
3. main
profile
4. fixing
bracket
5. thermo-
insulation
pad
6. anchor/
plug
7. rivet
4.8x12
8. thermal
insulation
9. L profile

ceramic – detail 5

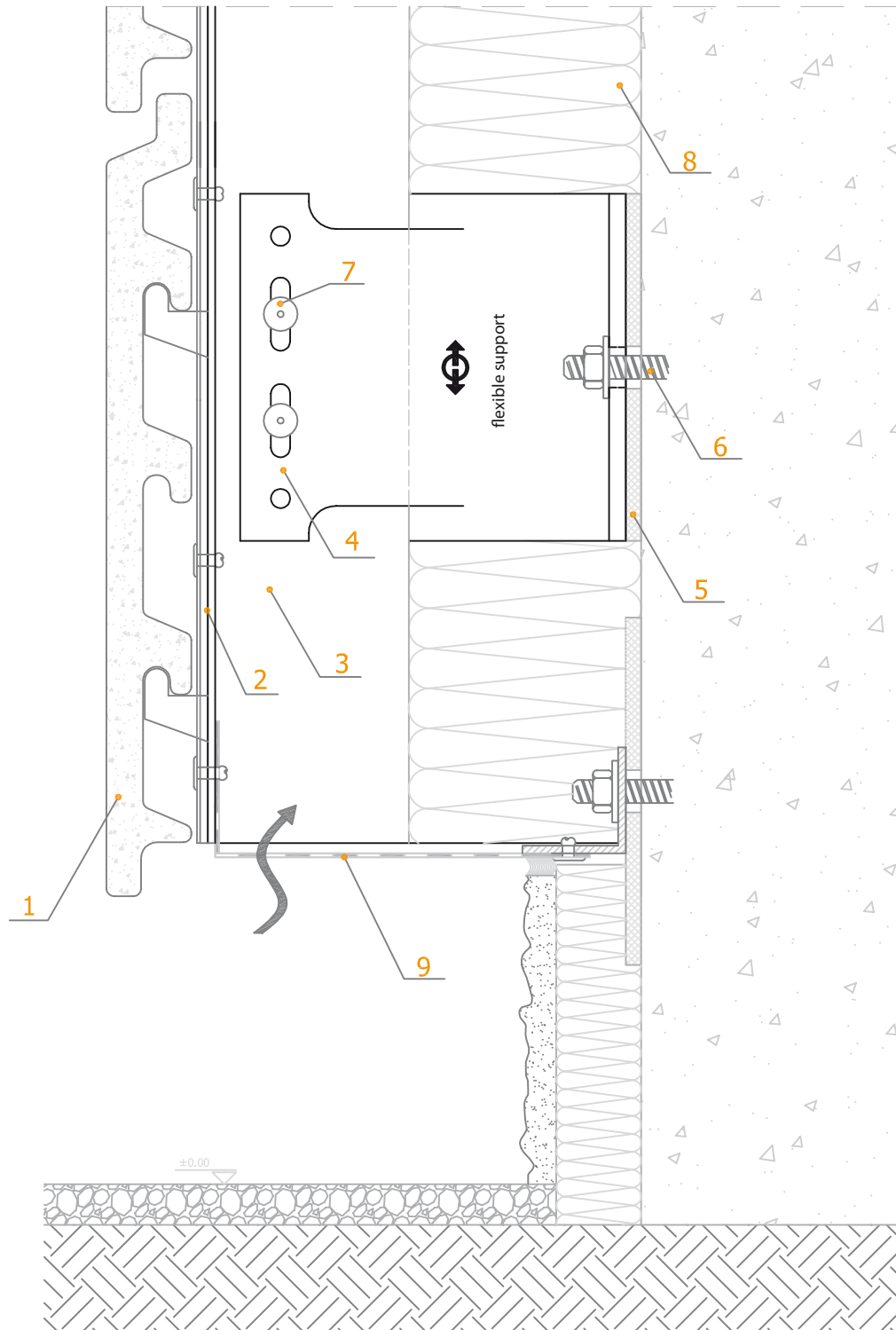
VARIO



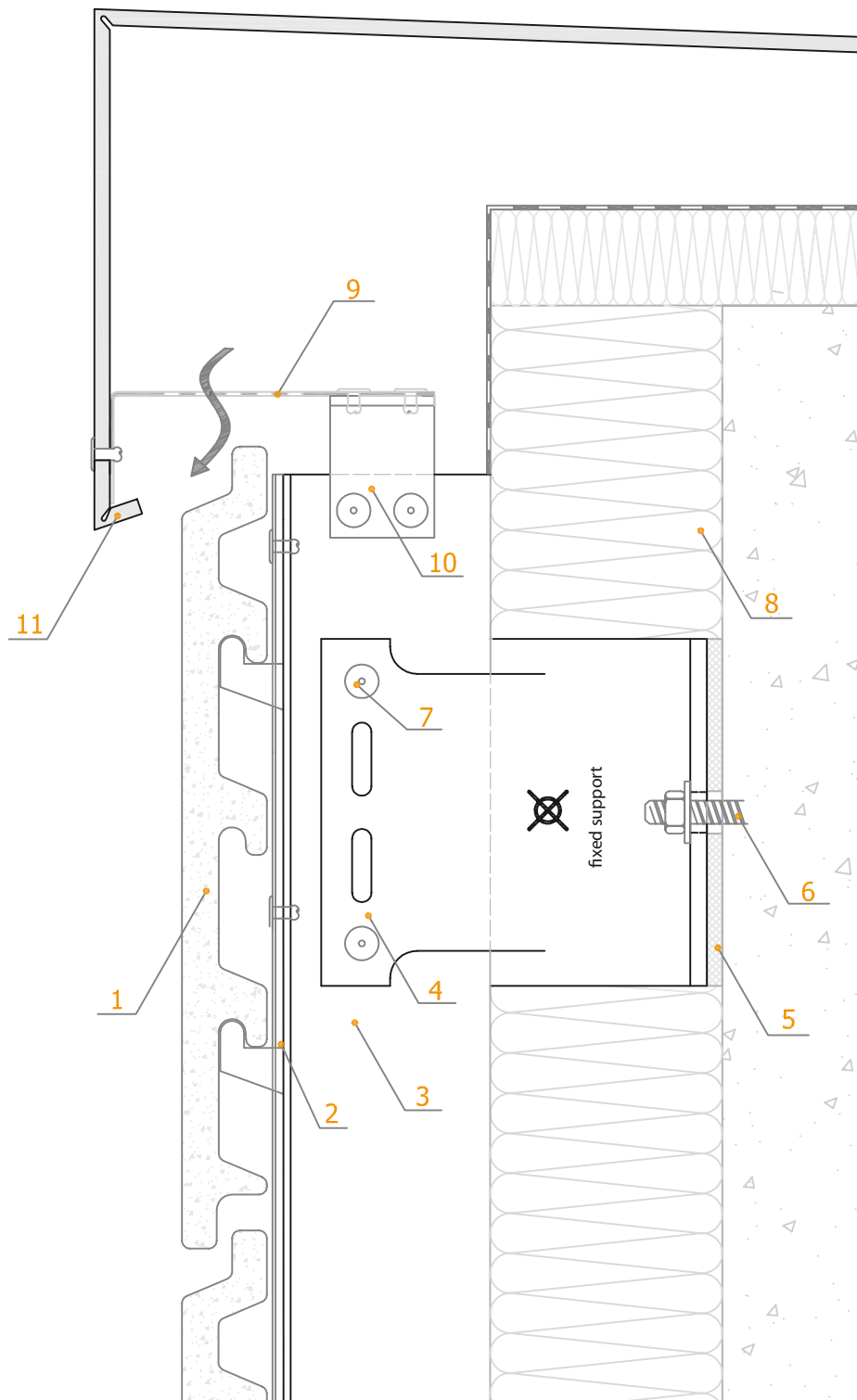
1. ceramic Creaton
2. base clinch rail profile
3. main profile
4. fixing bracket
5. thermo-insulation pad
6. anchor/plug
7. rivet 4.8x12
8. thermal insulation
9. L profile
10. aluminum drip sill
11. self drilling screw 4.8x32

ceramic – detail 6

VARIO



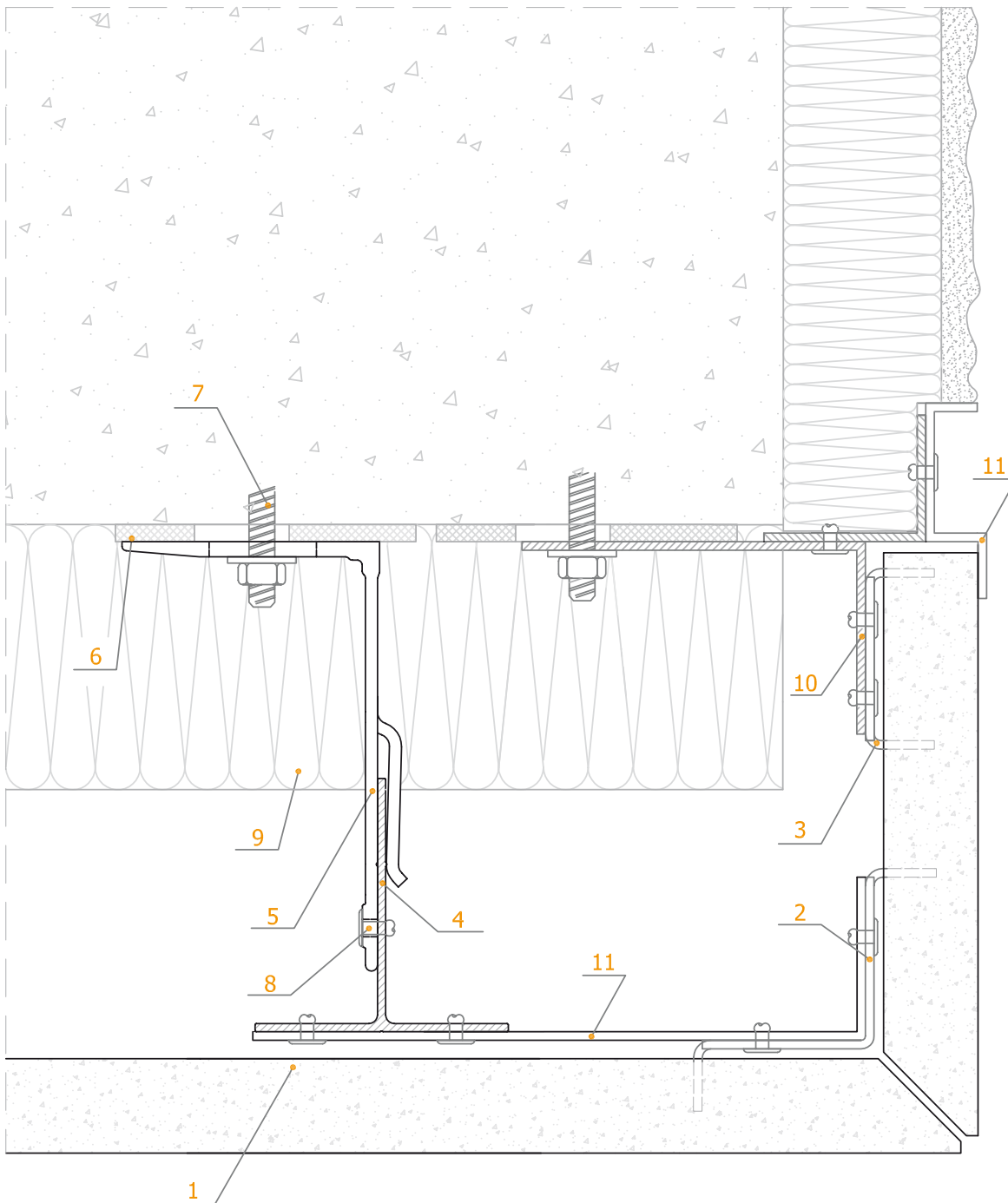
1. ceramic Creaton
2. base clinch rail profile
3. main profile
4. fixing bracket
5. thermo-insulation pad
6. anchor/ dubel
7. rivet 4.8x12
8. thermal insulation
9. perforated metal sheet



1. ceramic Creaton
2. base clinch rail profile
3. main profile
4. fixing bracket
5. thermo-insulation pad
6. anchor/plug
7. rivet 4.8x12
8. thermal insulation
9. perforated metal sheet
10. L profile
11. etalbond

ceramic – detail 8

VARIO

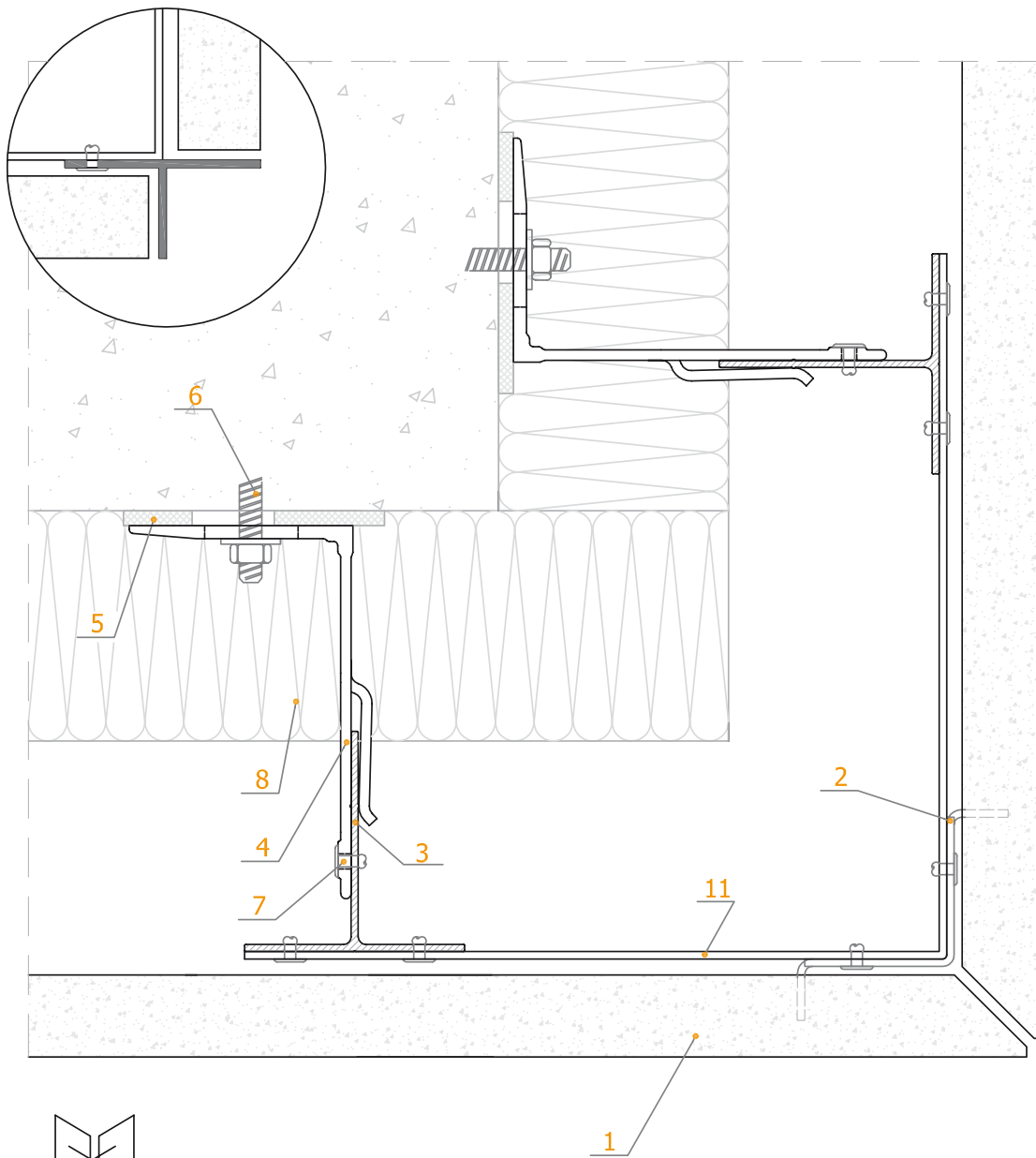


1. ceramic
Creaton
2. external
corner
profile
3. end profile
4. main
profile
5. fixing
bracket
6. thermo-
insulation
pad
7. anchor/
plug
8. rivet
4.8x12
9. thermal
insulation
10. L profile
11. aluminum
sheet

ceramic – detail 9

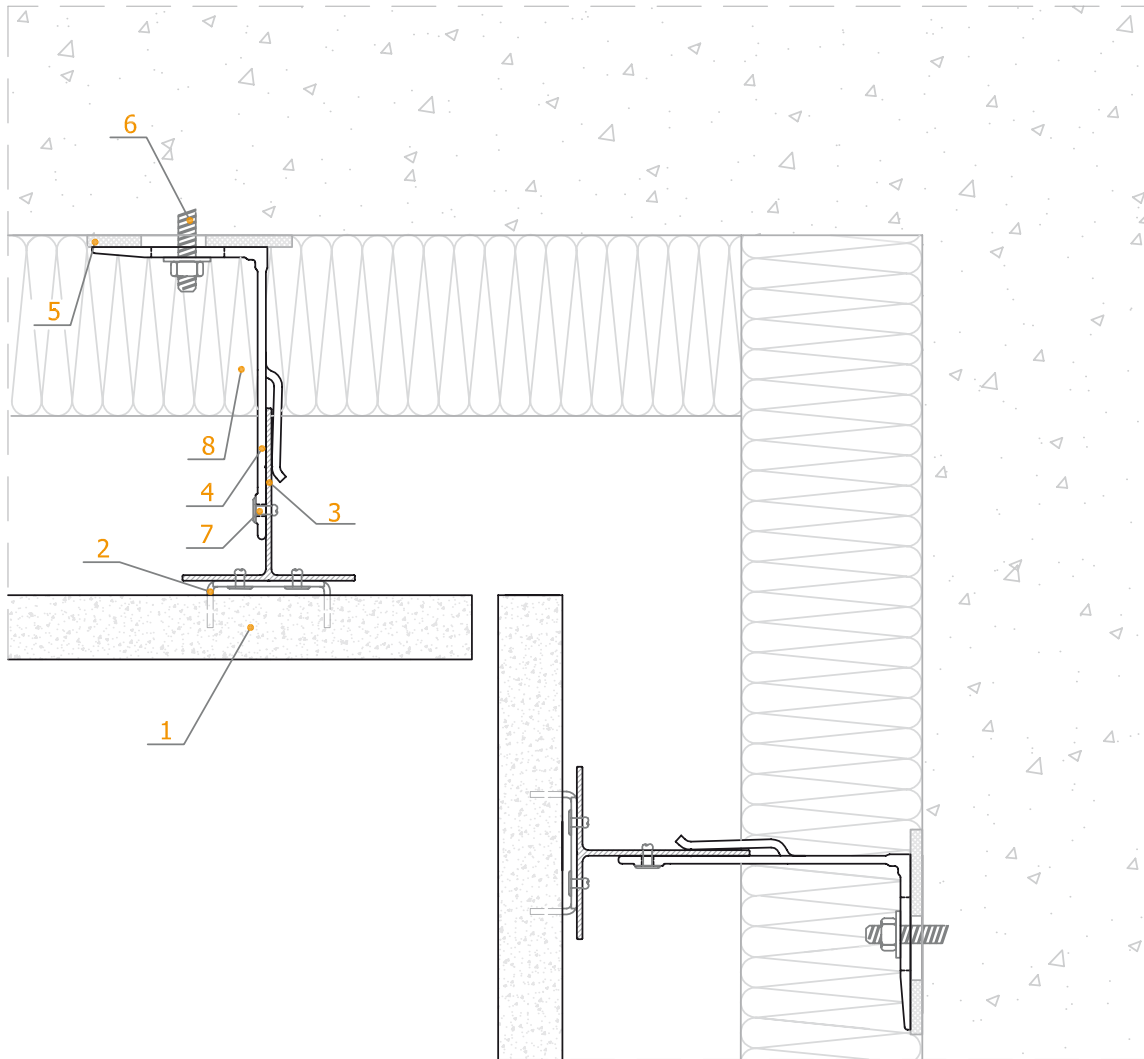
VARIO

1. ceramic
Creaton
2. external
corner
profile
3. main
profile
4. fixing
bracket
5. thermo-
insulation
pad
6. anchor/
dubel
7. rivet
4.8x12
8. thermal
insulation

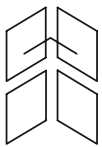


ceramic – detail 10

VARIO

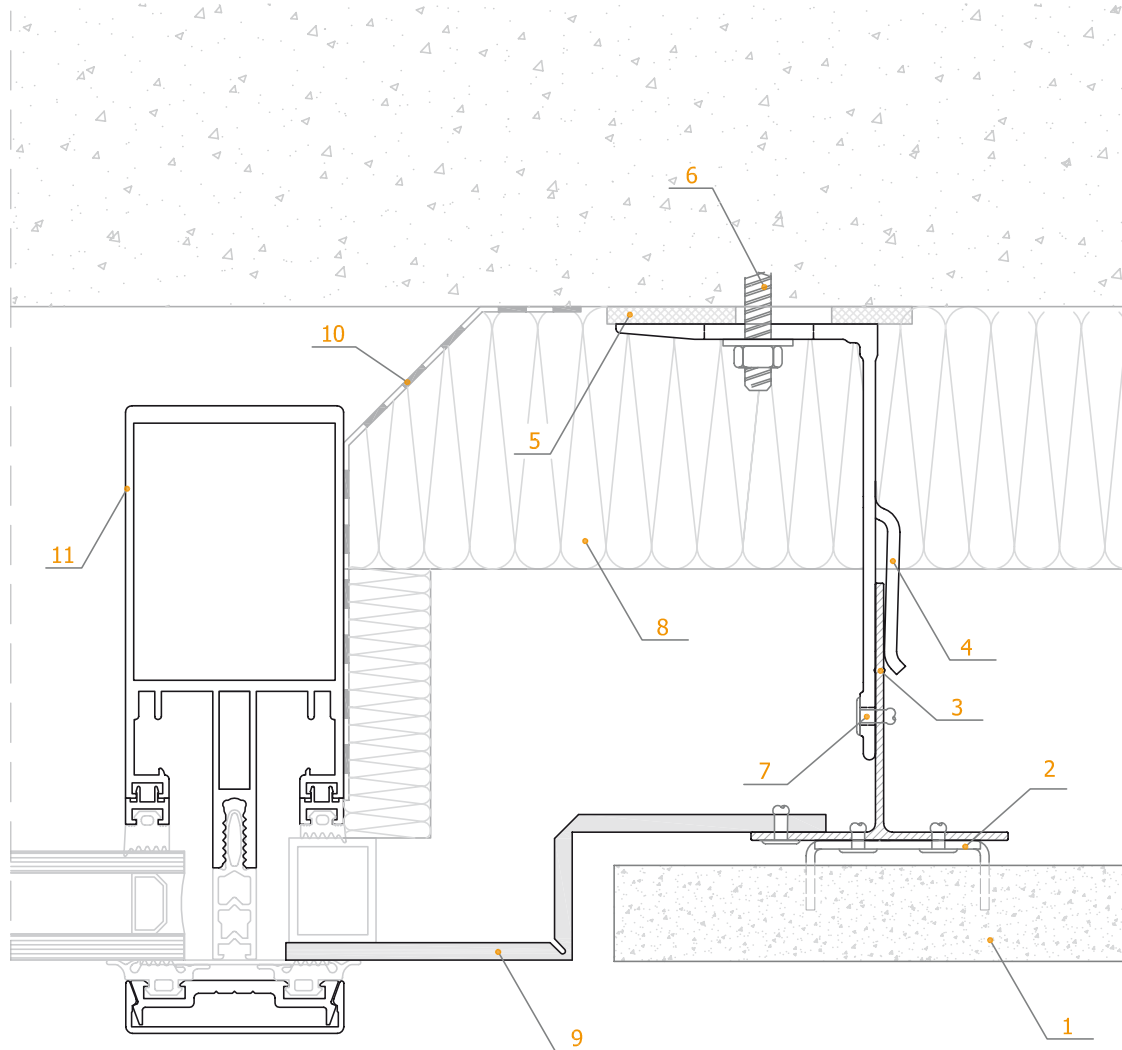


1. ceramic
Creaton
2. end profile
3. main
profile
4. fixing
bracket
5. thermo-
insulation
pad
6. anchor/
dubel
7. rivet
4.8x12
8. thermal
insulation

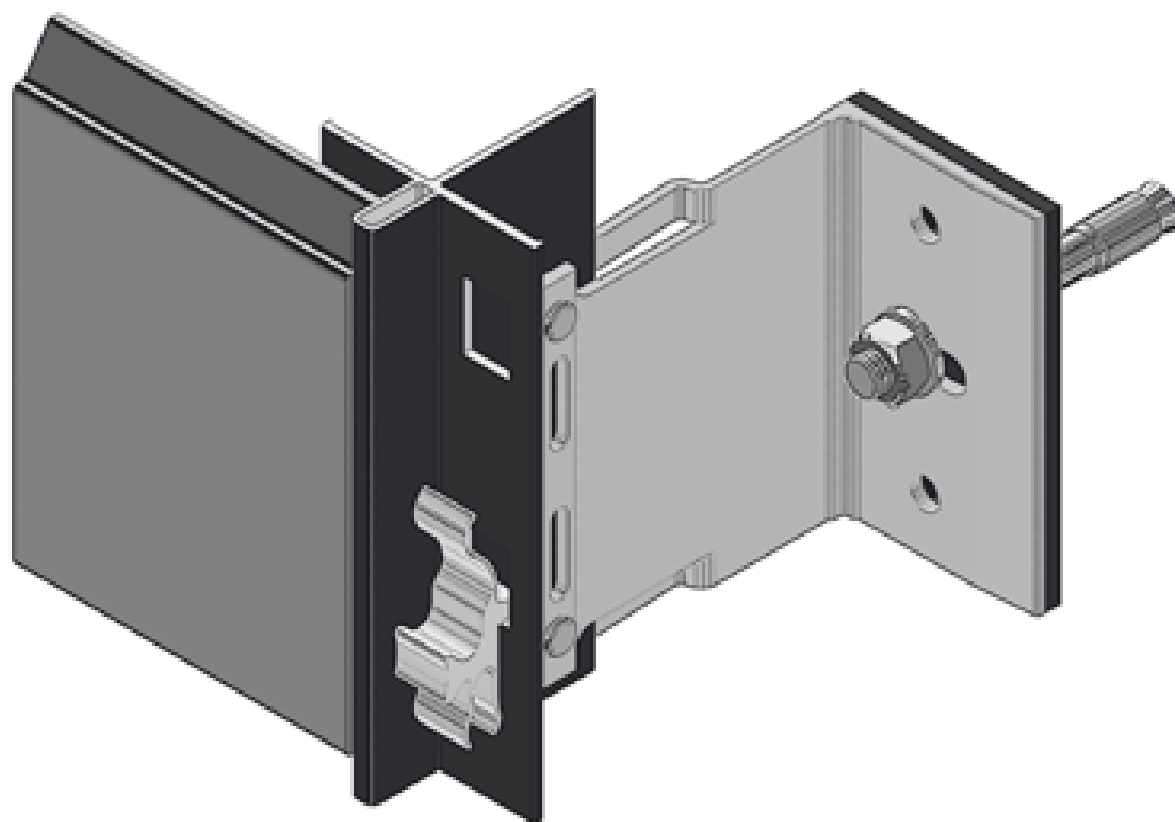


ceramic – detail 11

VARIO

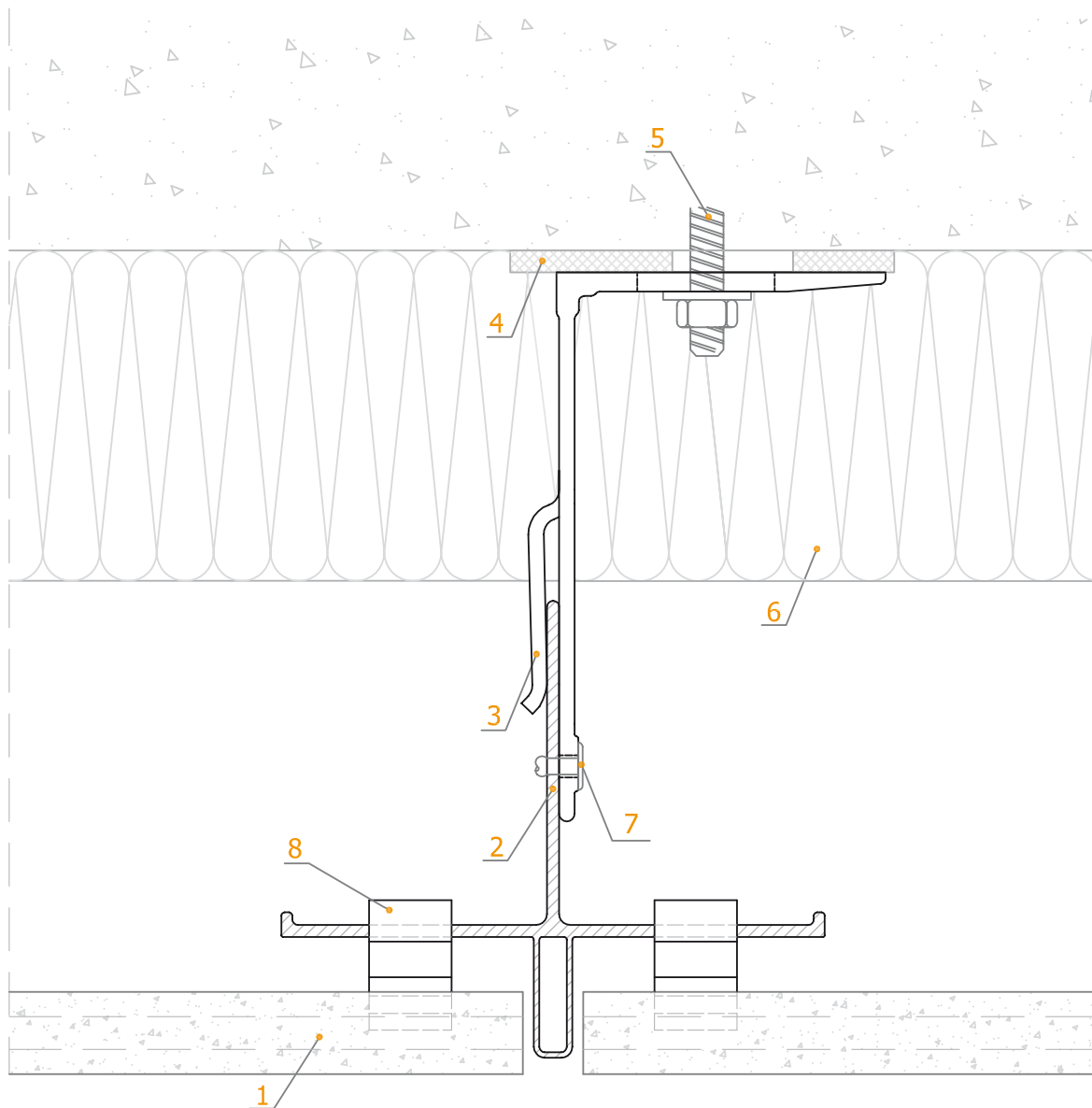


1. ceramic
Creaton
2. end profile
3. main
profile
4. fixing
bracket
5. thermo-
insulation
pad
6. anchor/
dubel
7. rivet
4.8x12
8. thermal
insulation
9. etalbond
10. waterproofng
11. curtain
wall



ceramic – detail 1

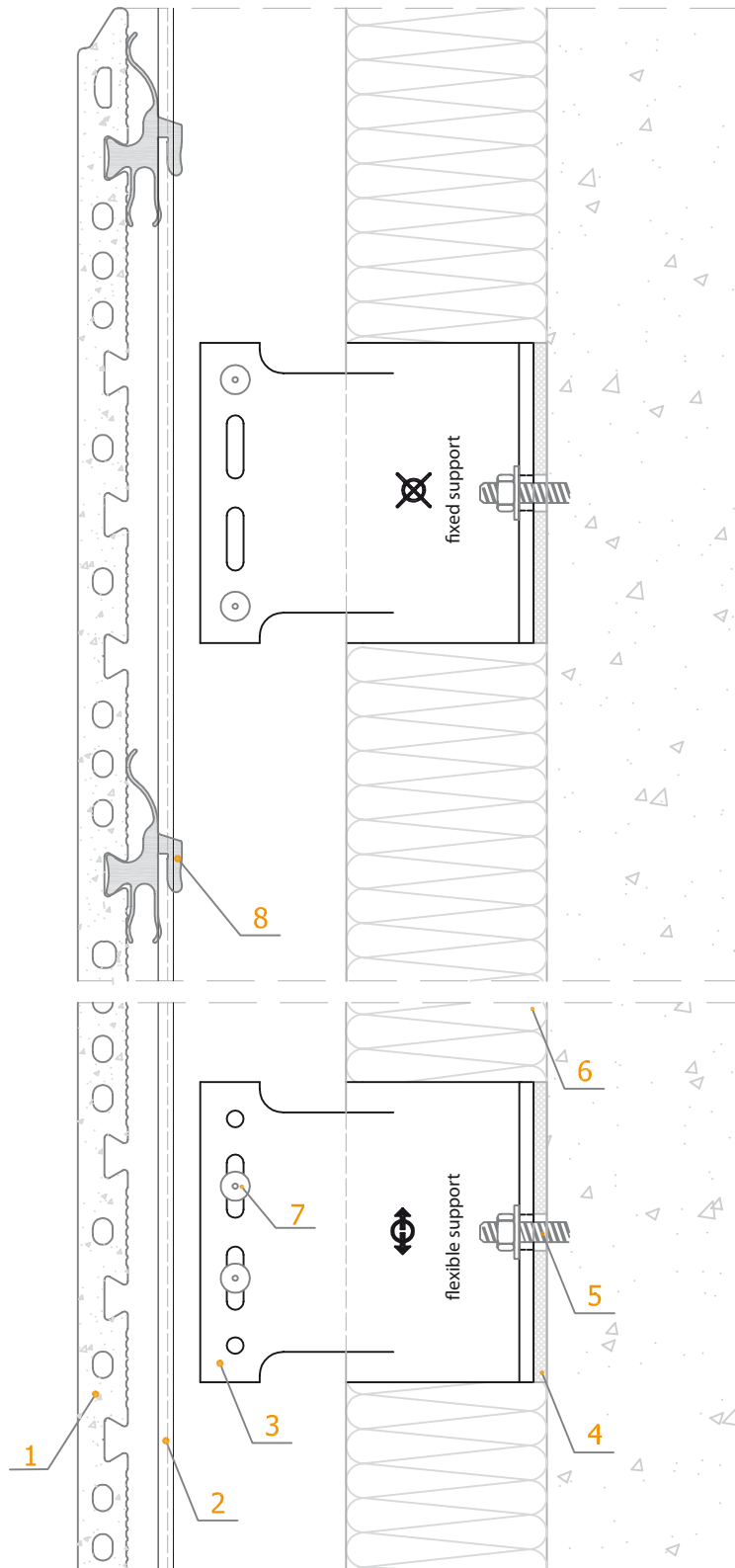
VARIO



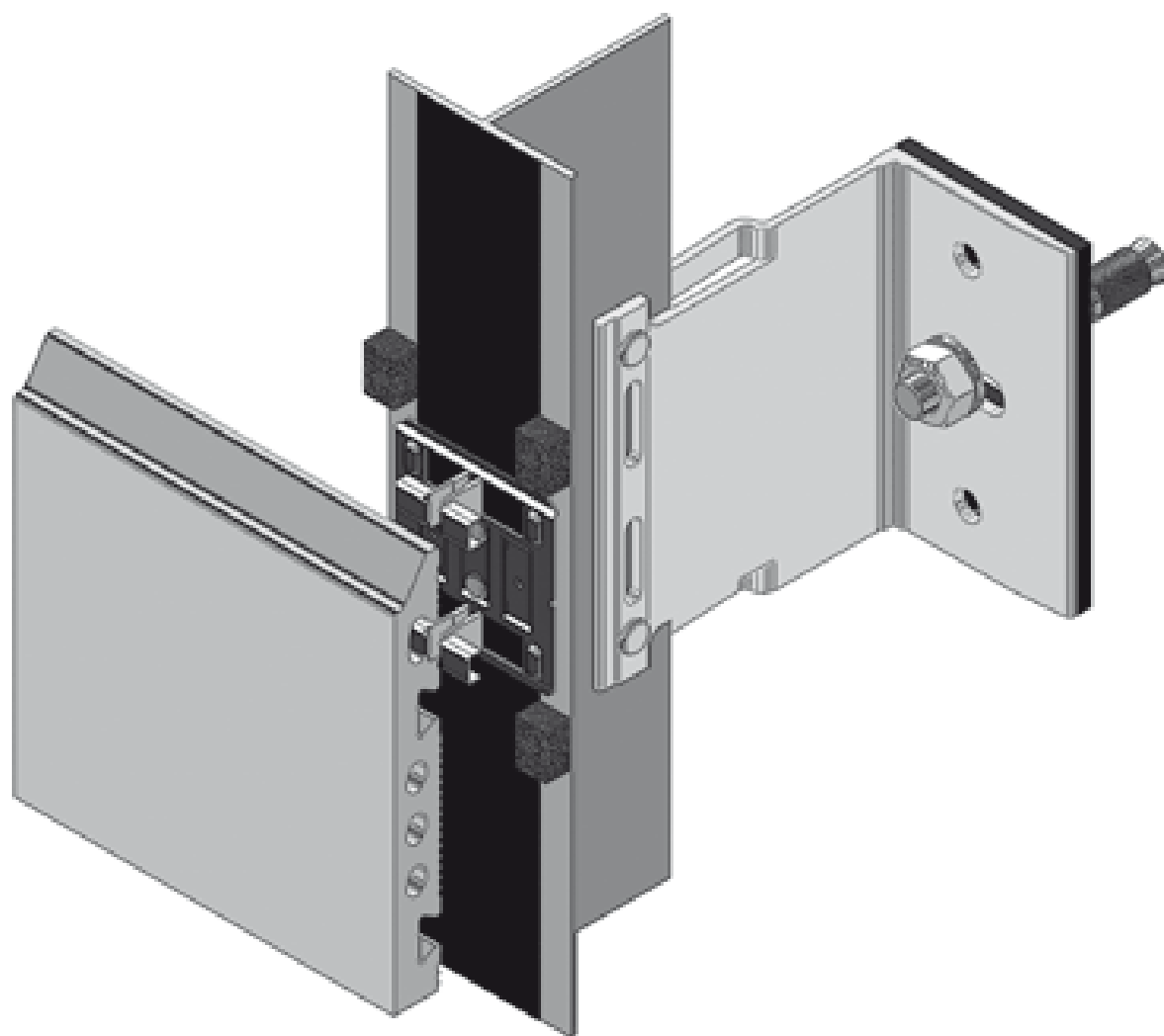
1. ceramic Agrob Buchtal
2. main profile
3. fixing bracket
4. thermo-insulation pad
5. anchor/dubel
6. thermal insulation
7. rivet 4.8x12
8. hanger

ceramic – detail 2

VARIO

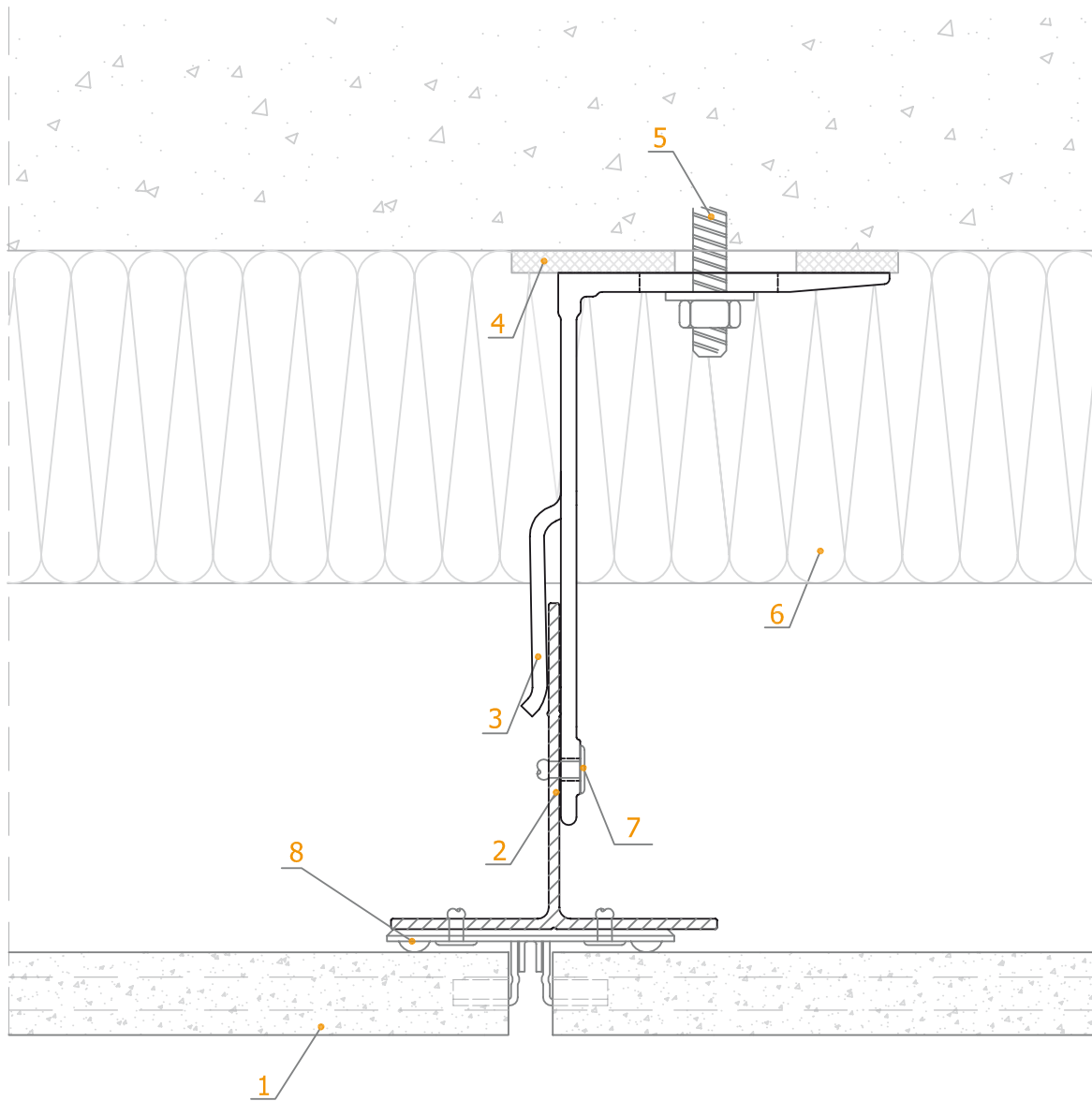


1. ceramic Agrob Buchtal
2. main profile
3. fixing bracket
4. thermo-insulation pad
5. anchor/dubel
6. thermal insulation
7. rivet 4.8x12
8. hanger



ceramic – detail 1

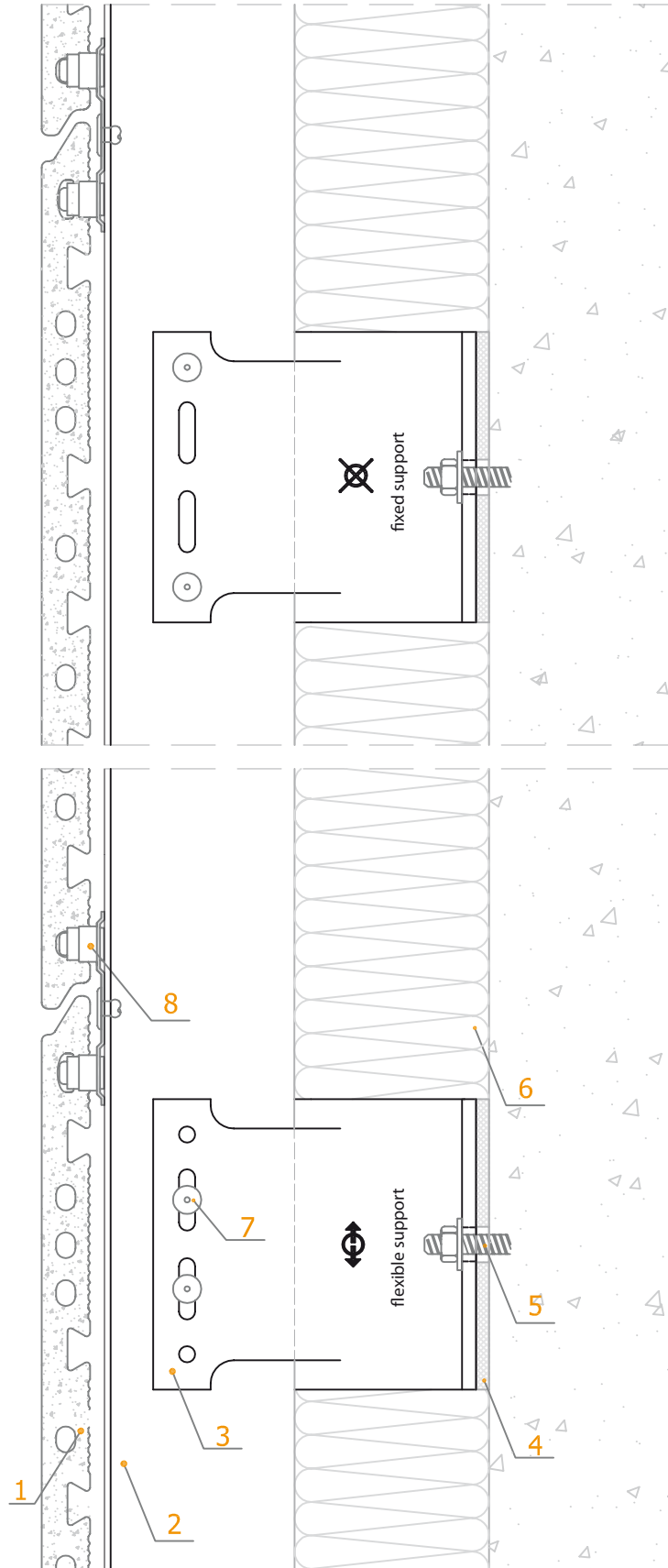
VARIO



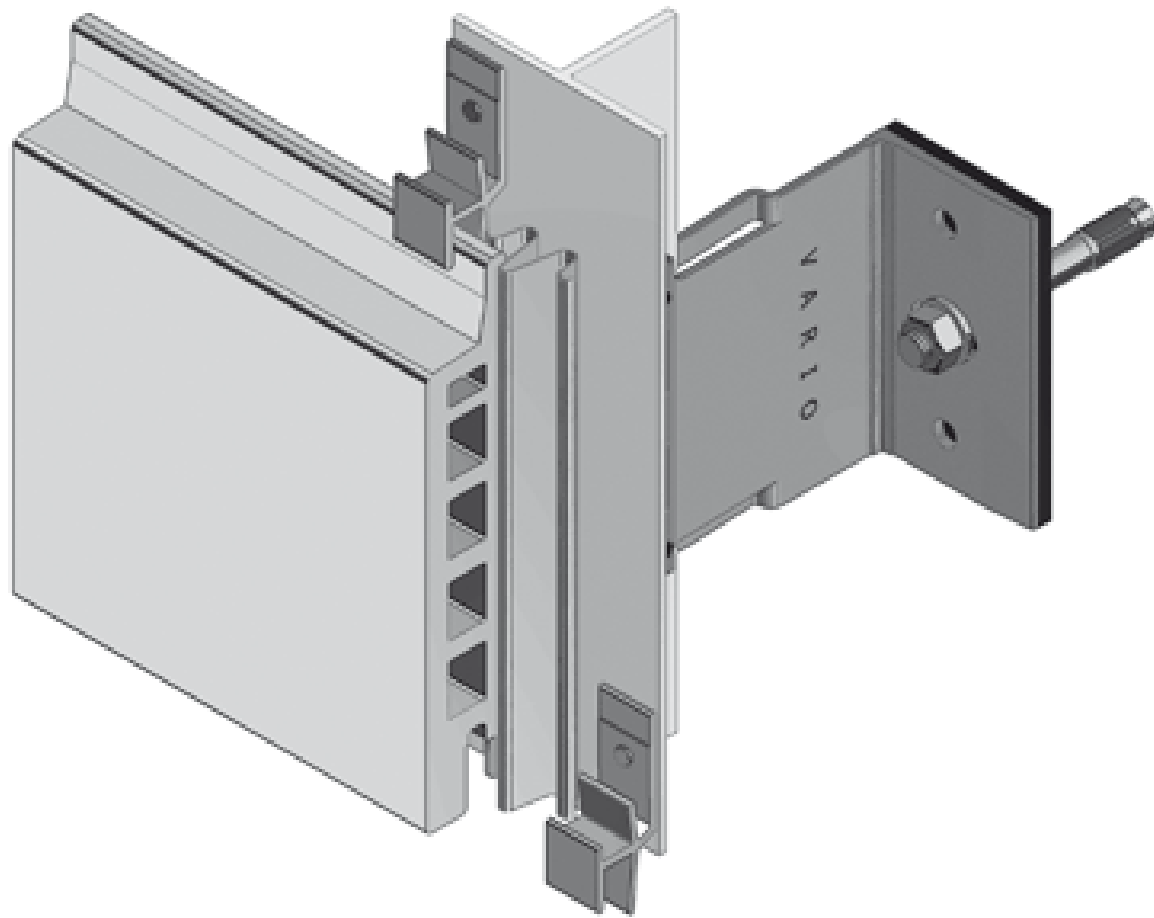
1. ceramic
Agrob
Buchtal
2. main
profile
3. fixing
bracket
4. thermostop
5. anchor /
dubel
6. thermal
insulation
7. rivet
4.8x12
8. hanger

ceramic – detail 2

VARIO

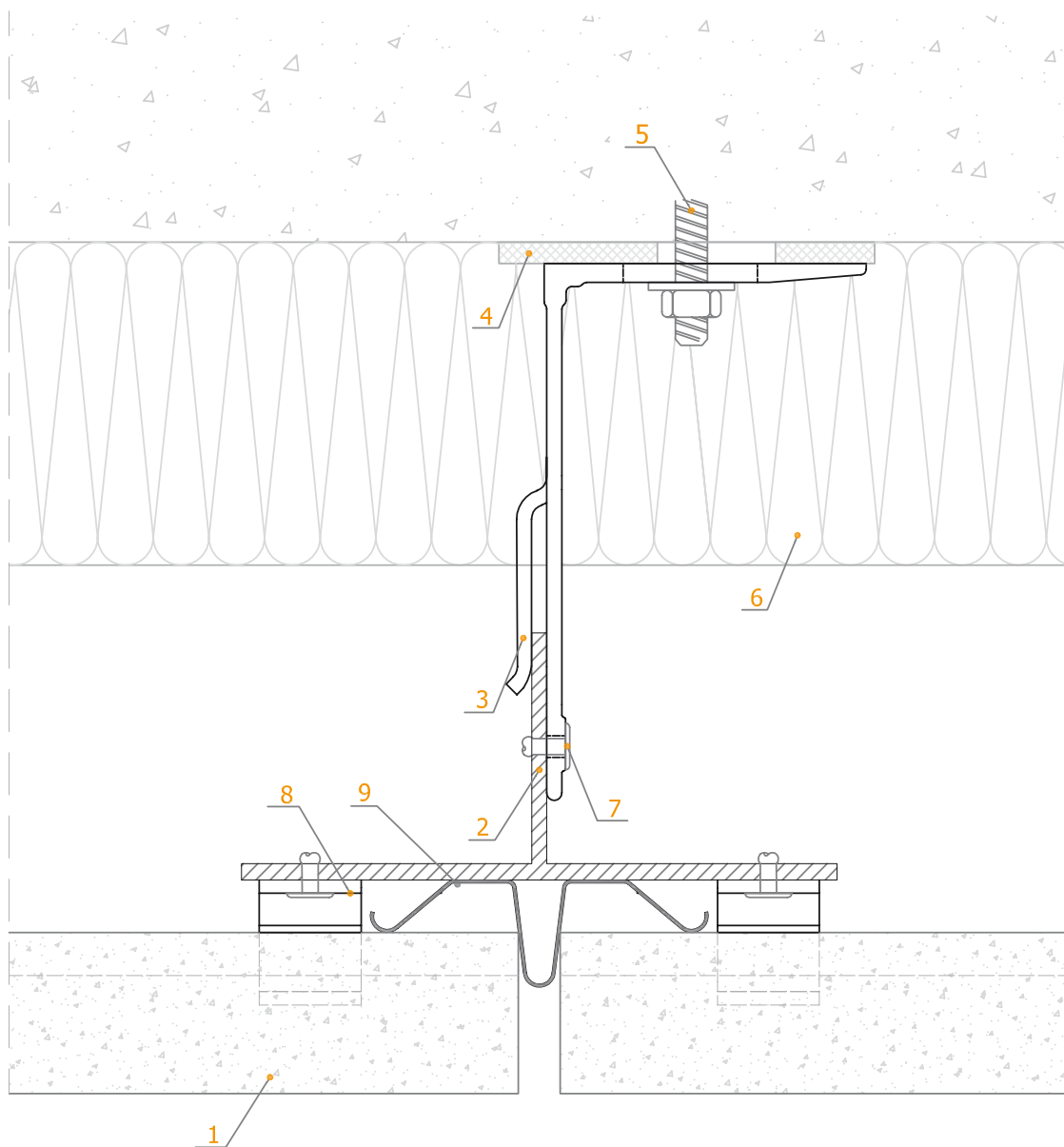


1. ceramic
Agrob
Buchtal
2. main
profile
3. fixing
bracket
4. thermo-
insulation
pad
5. anchor/
dubel
6. thermal
insulation
7. rivet
4.8x12
8. hanger



ceramic – detail 1

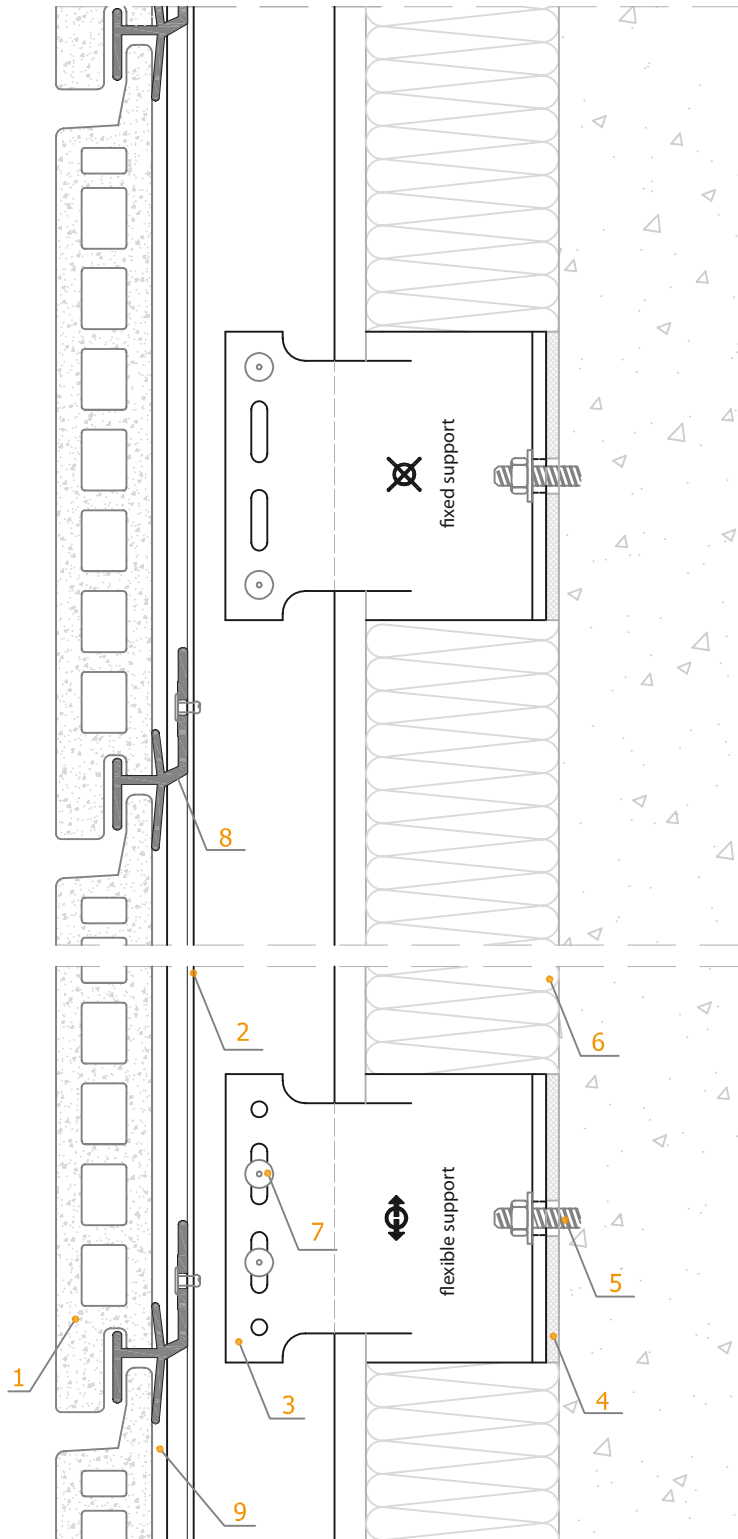
VARIO



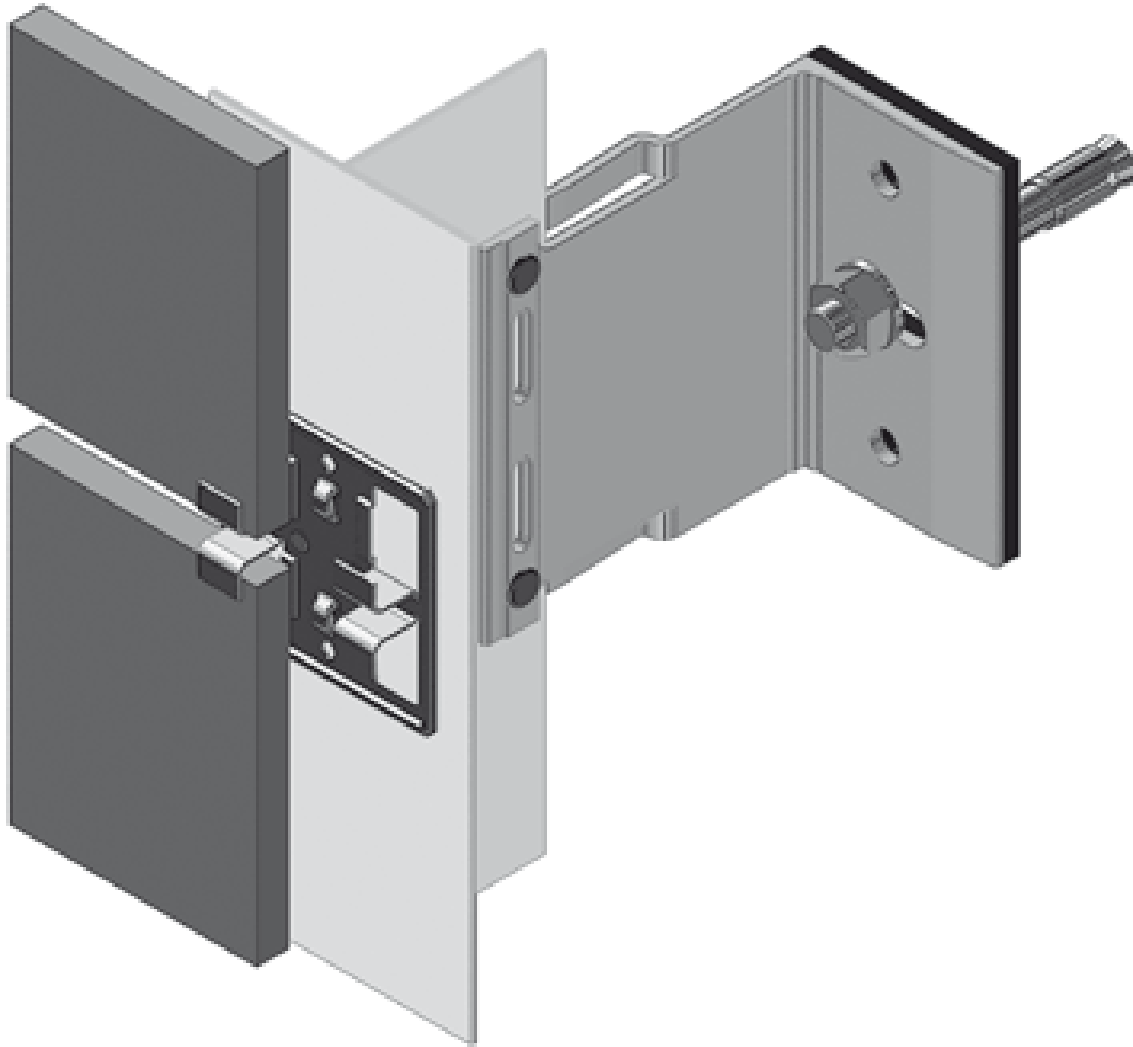
1. ceramic
Argeton
2. main
profile
3. fixing
bracket
4. thermo-
insulation
pad
5. anchor/
dubel
6. thermal
insulation
7. rivet
4.8x12
8. hanger
9. drip profile

ceramic – detail 2

VARIO

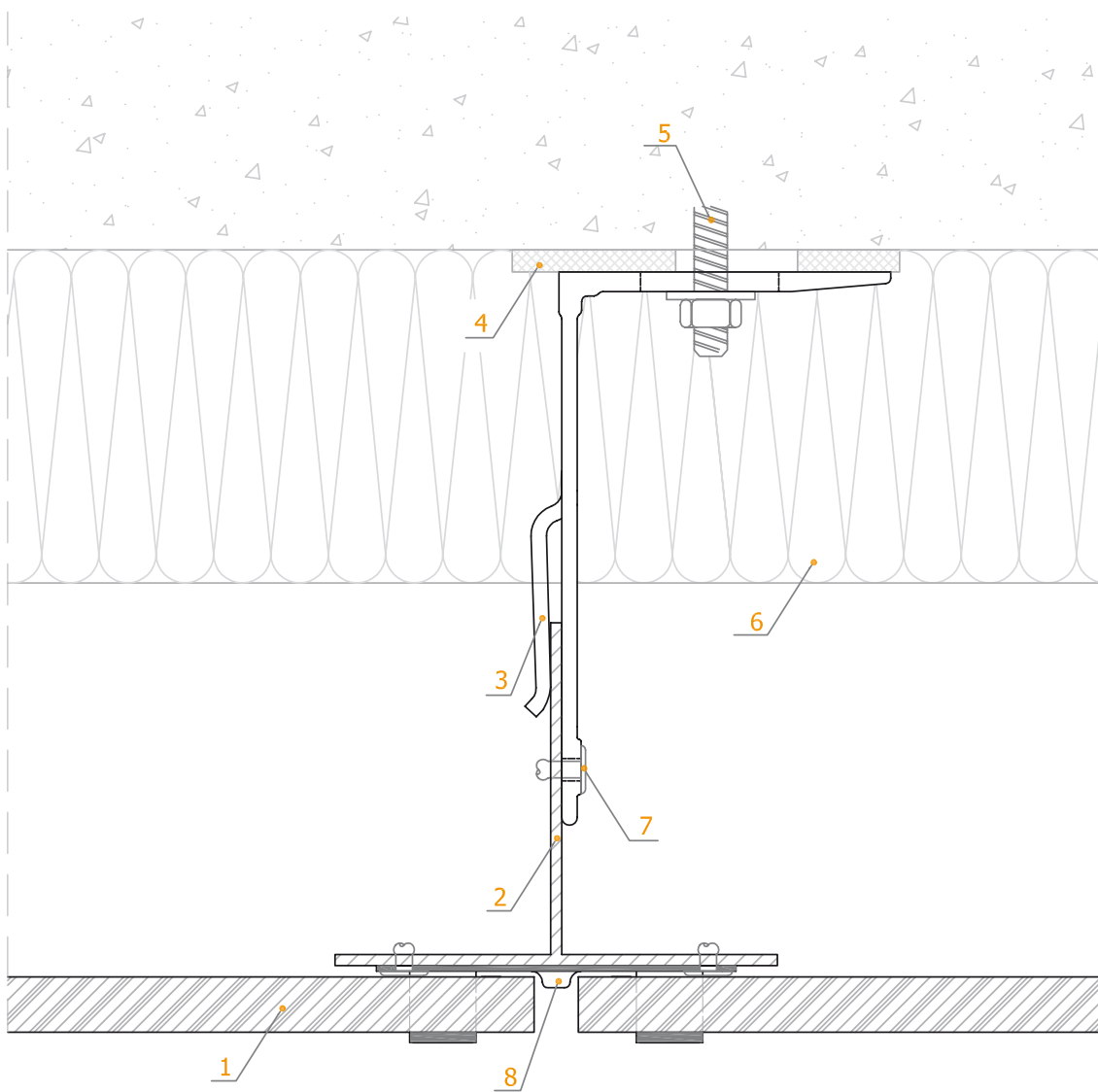


1. ceramic-Argeton
2. main profile
3. bracket
4. thermostop
5. anchor/plug
6. thermal insulation
7. rivet 4.8x12
8. hanger
9. drip profile



fibro-cement / HPL detail

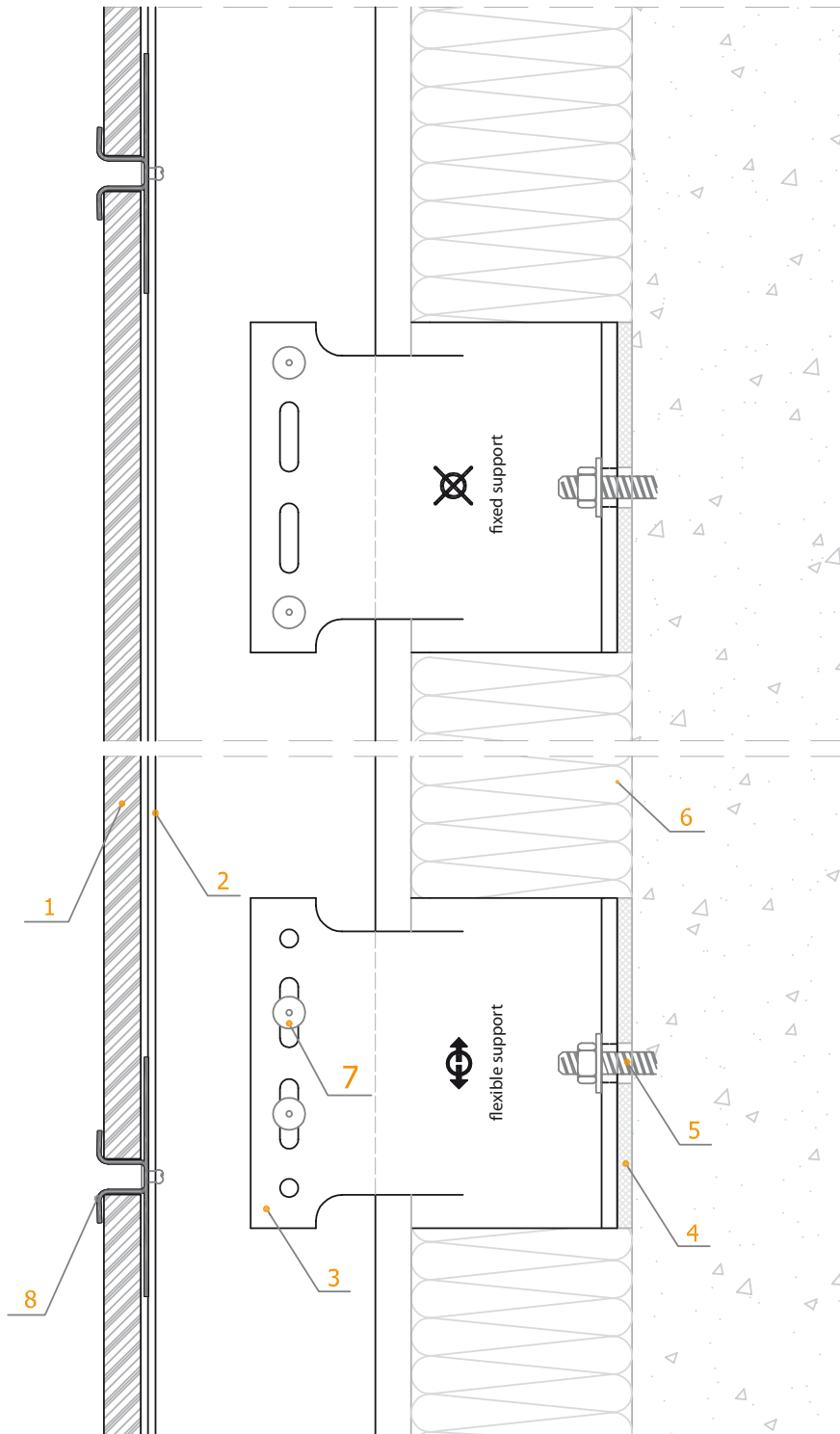
VARIO



1. thin stone, light ceramic, HPL, eternit
2. main profile
3. fixing bracket
4. thermo-insulation pad
5. anchor/ dubel
6. thermal insulation with black cover
7. rivet 4.8x12
8. hanger

fibro-cement / HPL detail

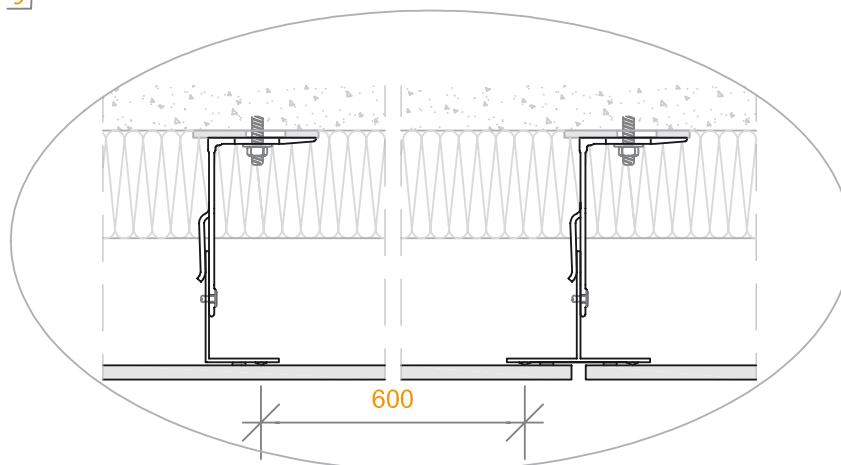
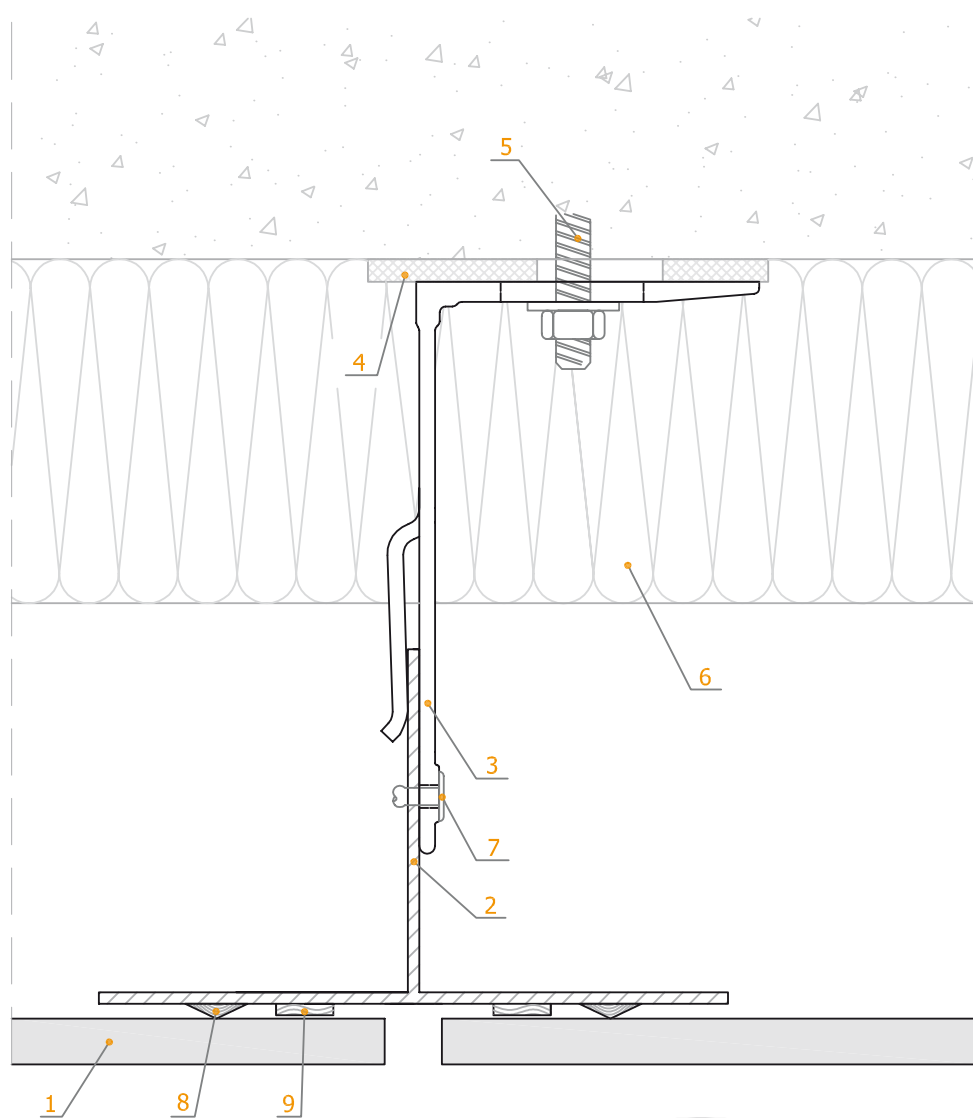
VARIO



1. thin stone, light ceramic, HPL, eternit
2. main profile
3. fixing bracket
4. thermo-insulation pad
5. anchor/dubel
6. thermal insulation with black cover
7. rivet 4.8x12
8. hange

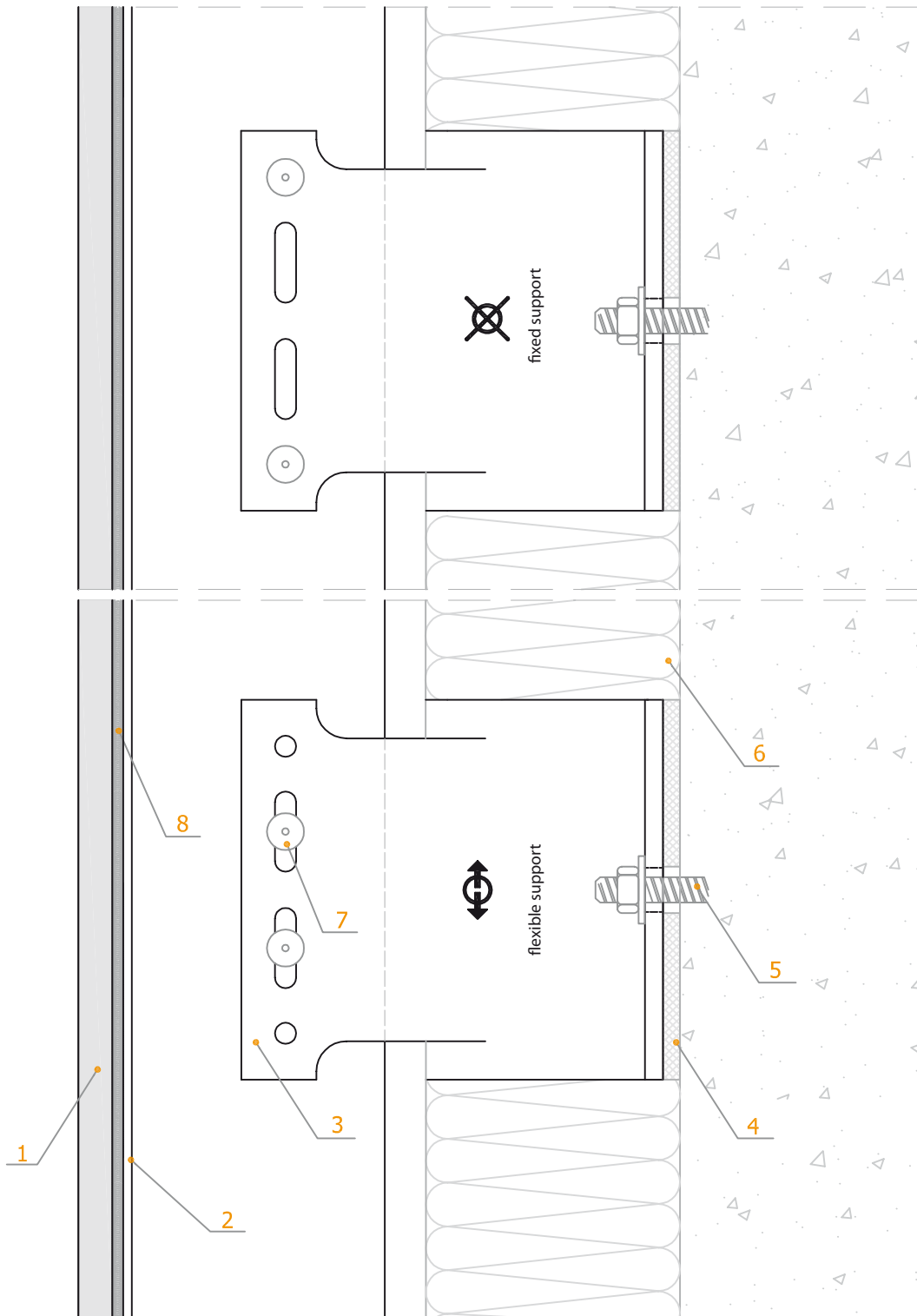
fibro-cement / HPL detail

UARIO

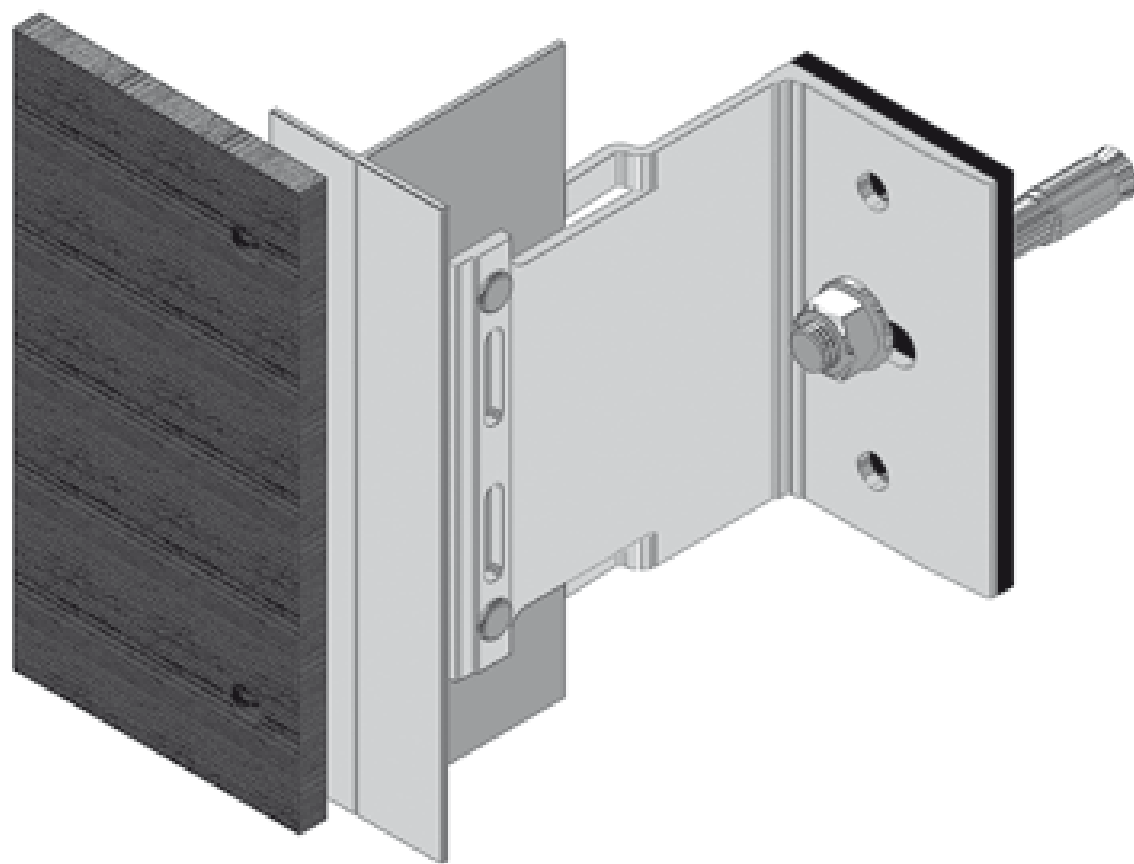


1. thin stone, ceramic, HPL, eternit
2. main profile
3. fixing bracket
4. thermo-insulation pad
5. anchor/dubel
6. thermal insulation with black cover
7. rivet 4.8x12
8. silicon
9. double coated tape

fibro-cement / HPL detail

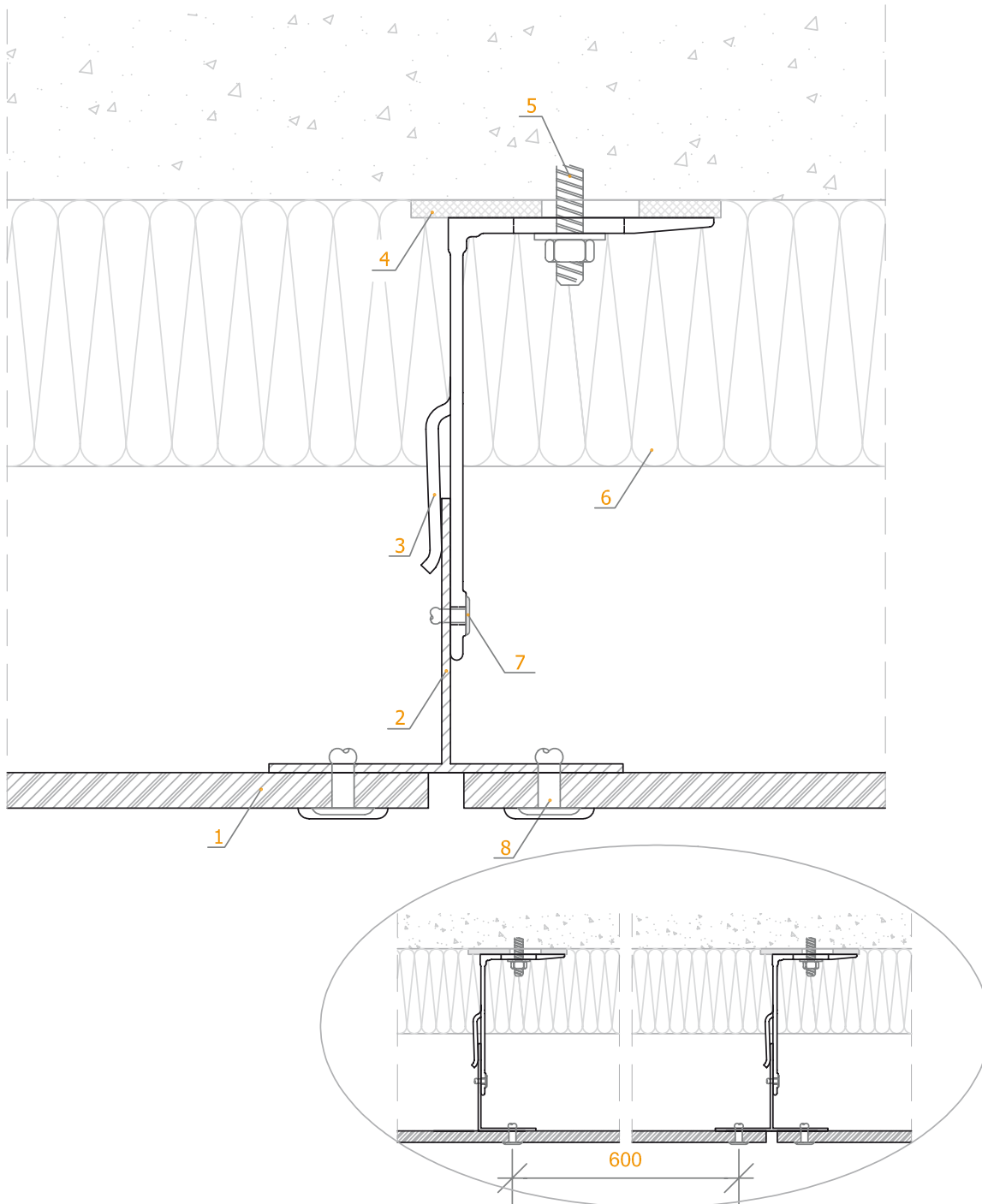


1. thin stone, ceramic, HPL, eternit
2. main profile
3. fixing bracket
4. thermo-insulation pad
5. anchor/dubel
6. thermal insulation with black cover
7. rivet 4.8x12
8. silicon



fibro-cement / HPL detail

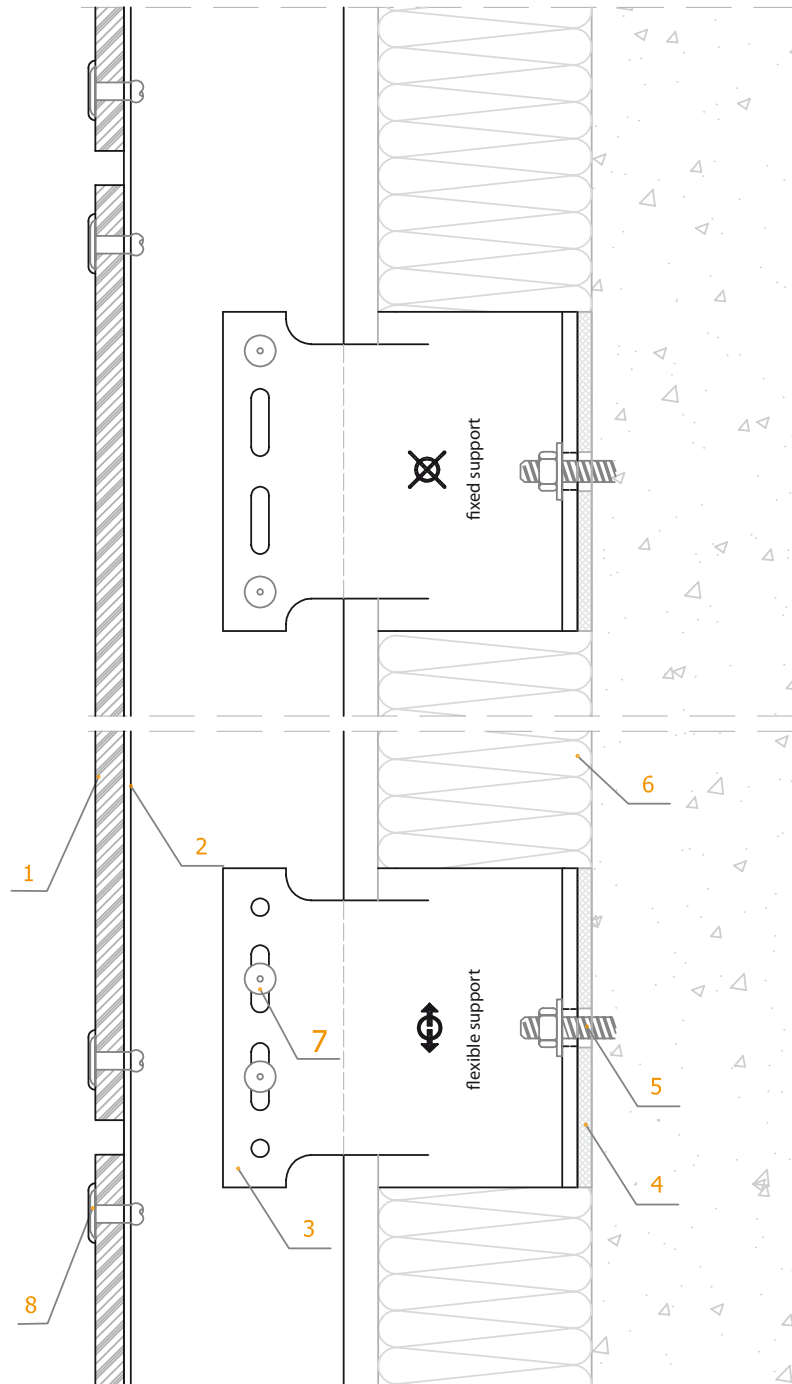
VARIO



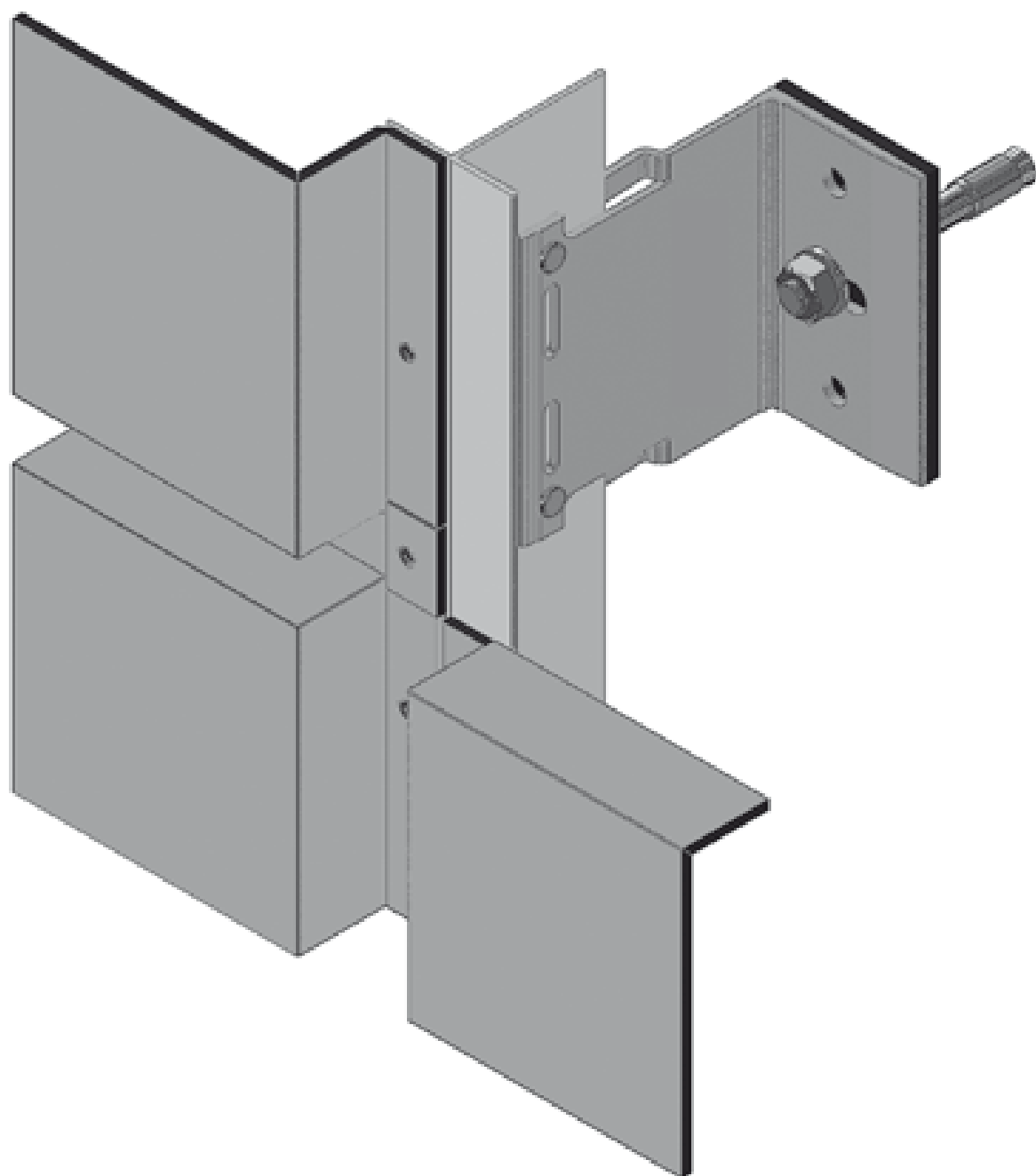
1. HPL, eternit, aquapanel
2. main profile
3. fixing bracket
4. thermo-insulation pad
5. anchor/dubel
6. thermal insulation
7. rivet 4.8x12
8. rivet 5x14 with decorative colour cap

fibro-cement / HPL detail

VARIO

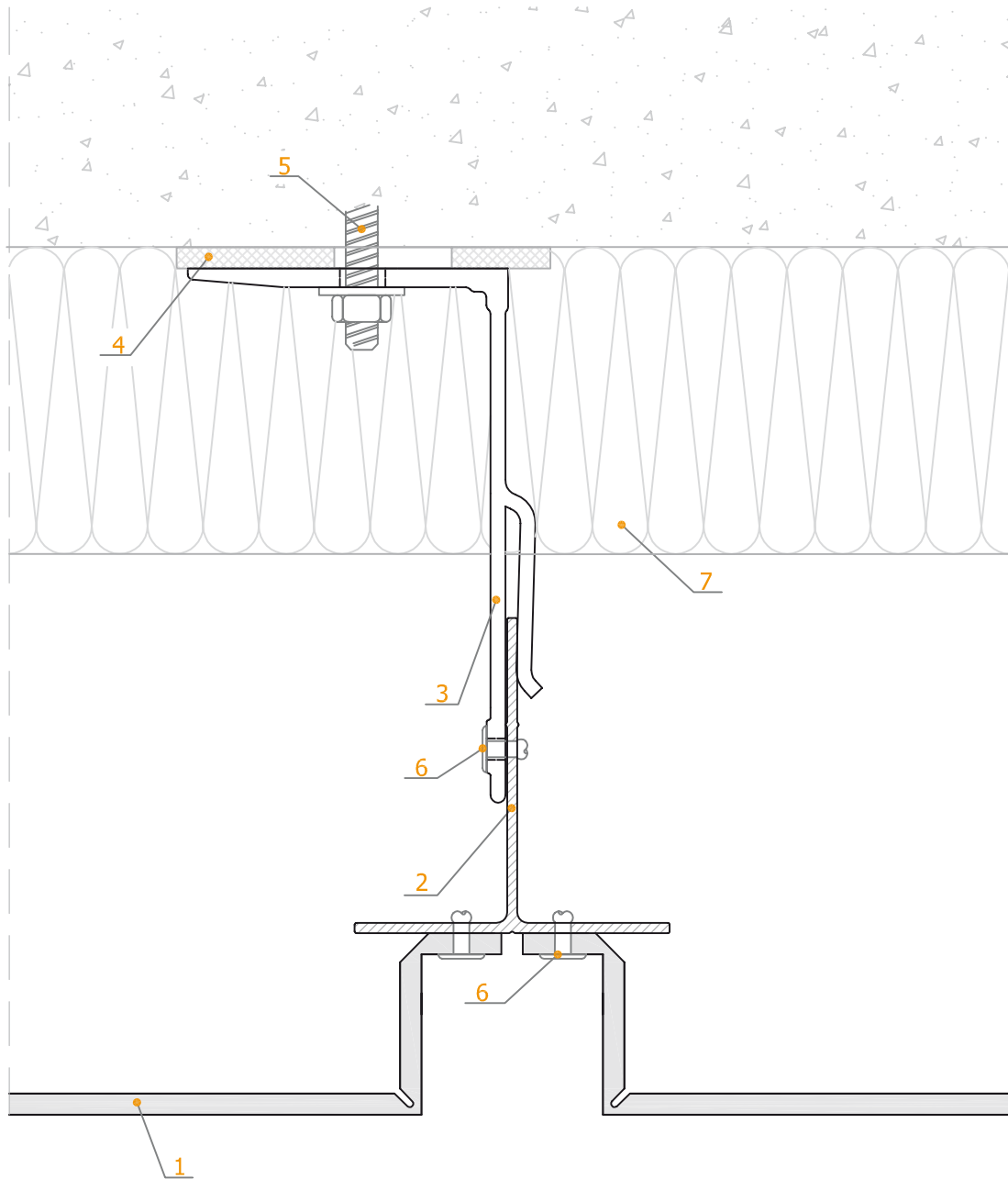


1. HPL, eternit, aquapanel
2. main profile
3. fixing bracket
4. thermo-insulation pad
5. anchor/dubel
6. thermal insulation
7. rivet 4.8x12
8. rivet 5x14 with decorative colour cap



etalbond – detail 1

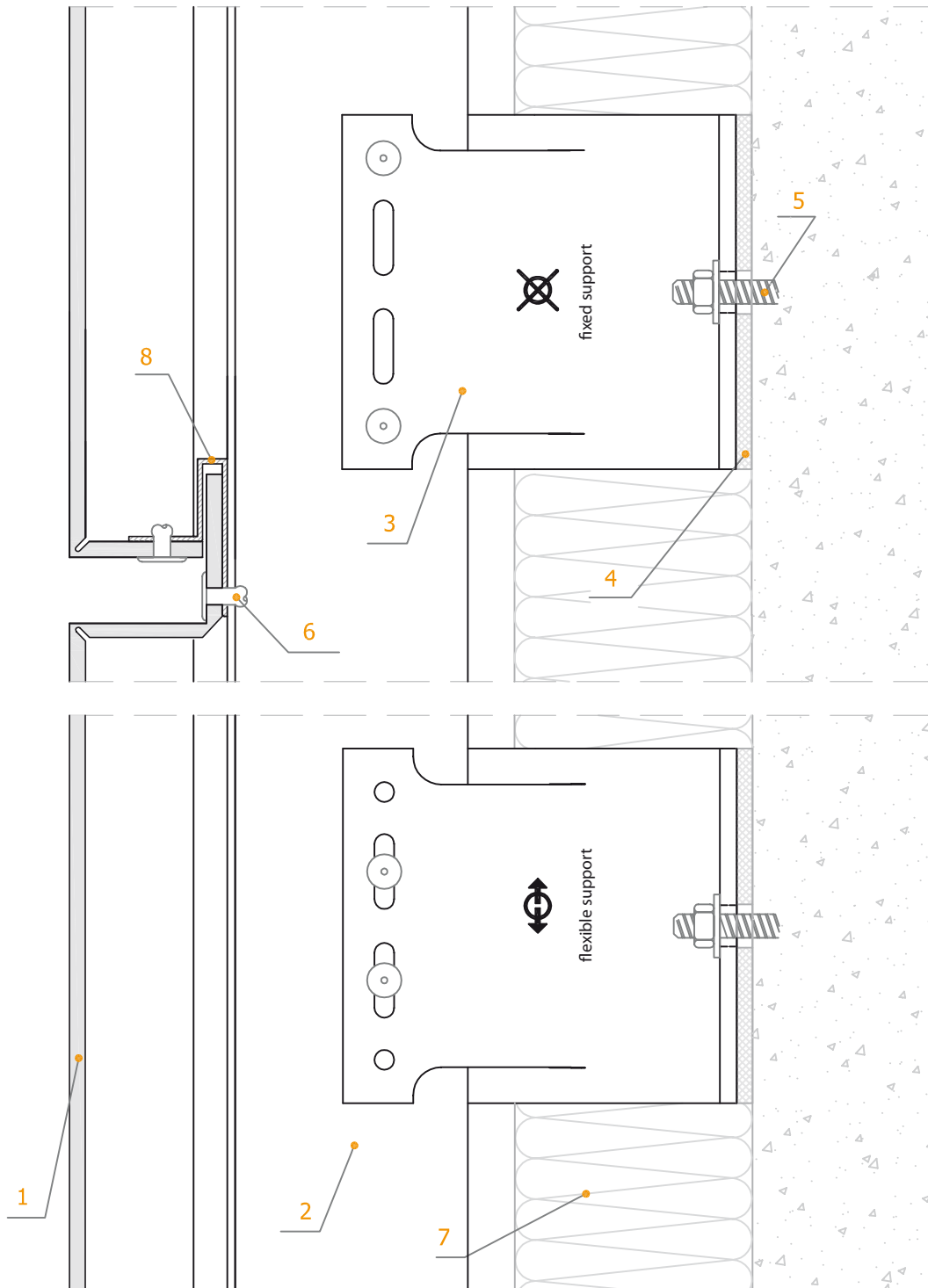
VARIO



1. etalbond
2. main profile
3. fixing bracket
4. thermo-insulation pad
5. anchor/dubel
6. rivet 4.8x12
7. thermal insulation

etalbond – detail 2

VARIO



1. etalbond
2. main profile
3. fixing bracket
4. thermo-insulation pad
5. anchor/dubel
6. rivet 4.8x12
7. thermal-insulation

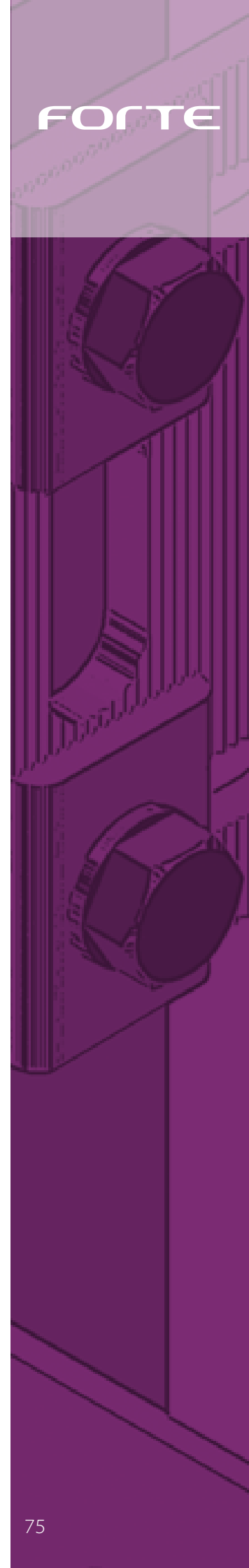
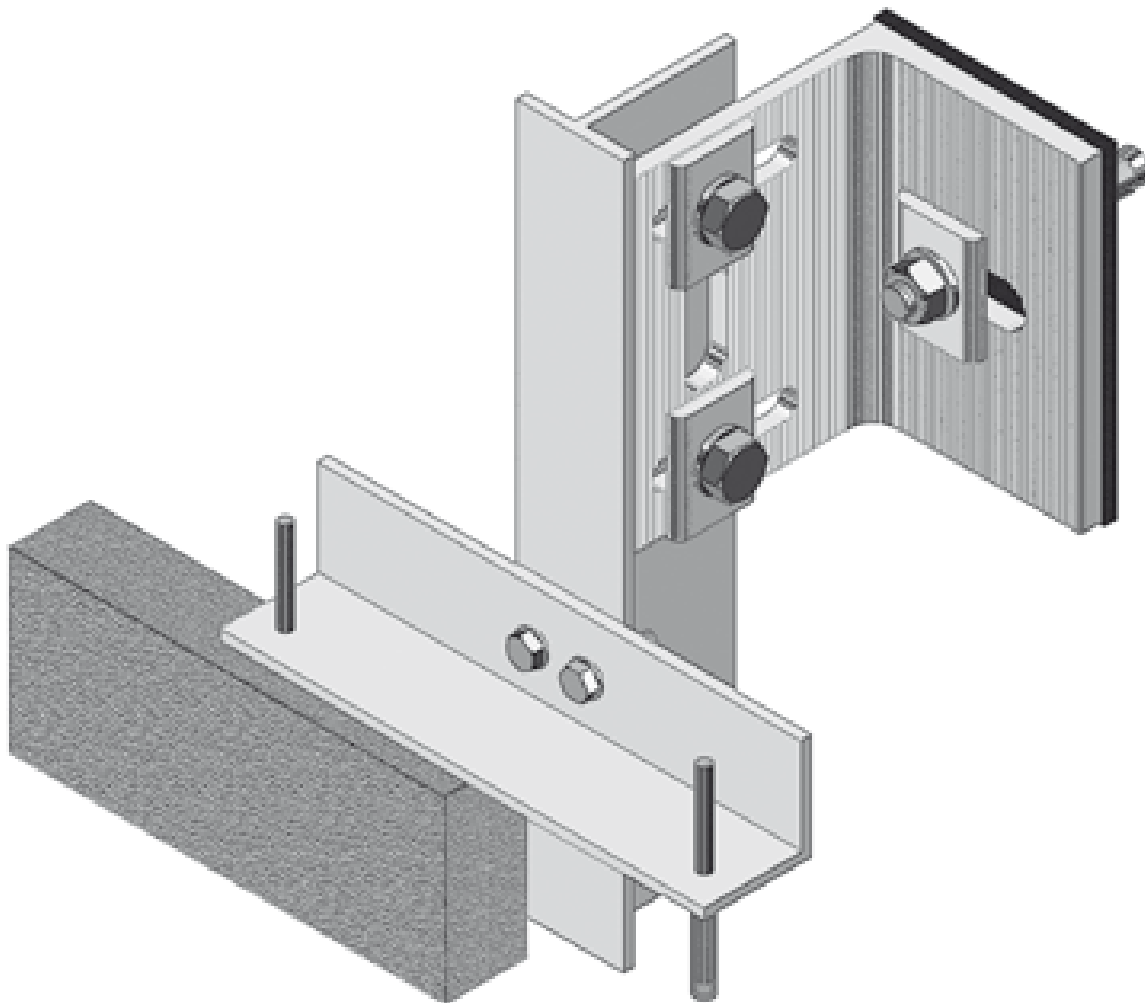
Ventilated



FORTE

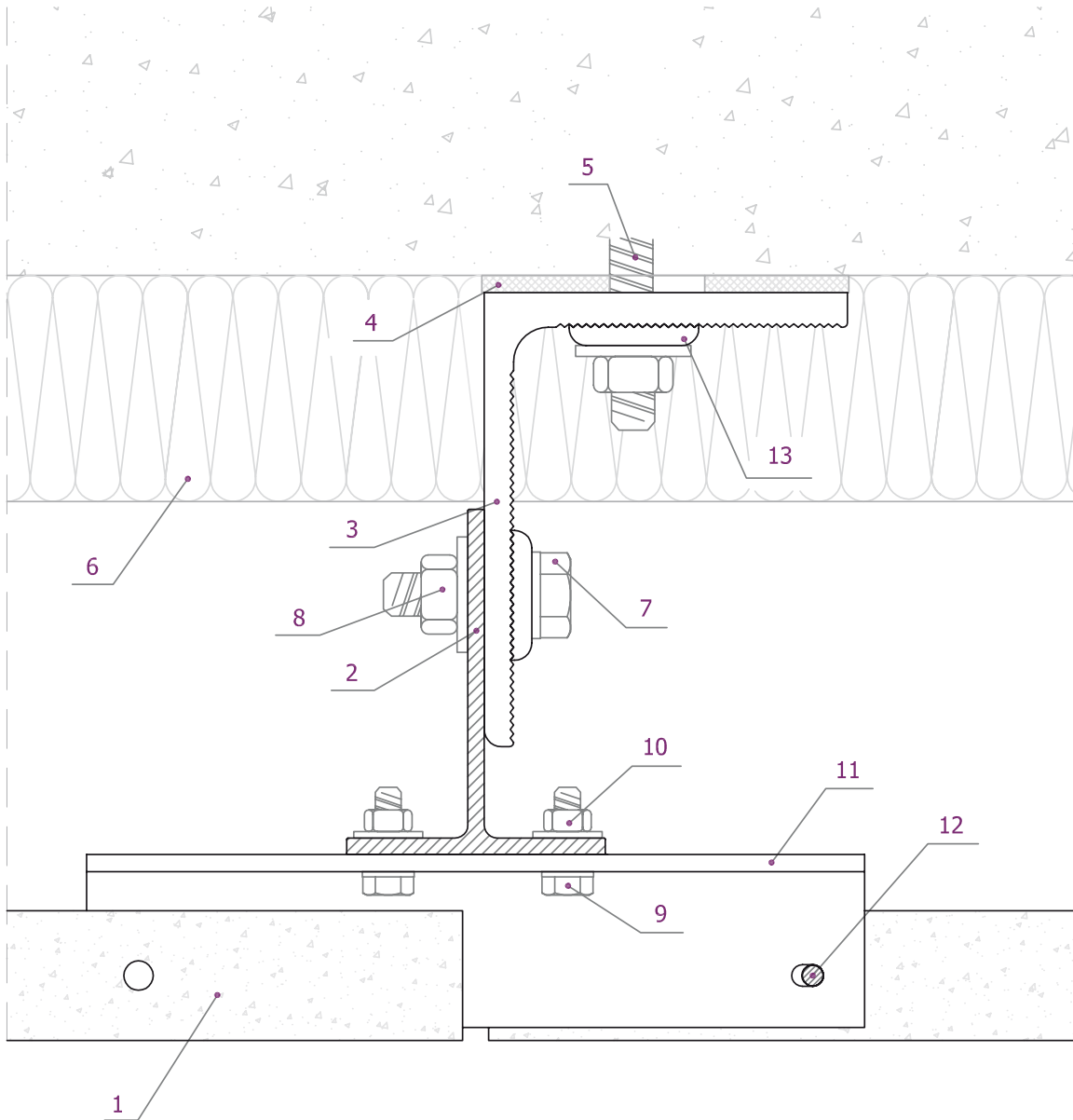
Façade System





stone – detail 1

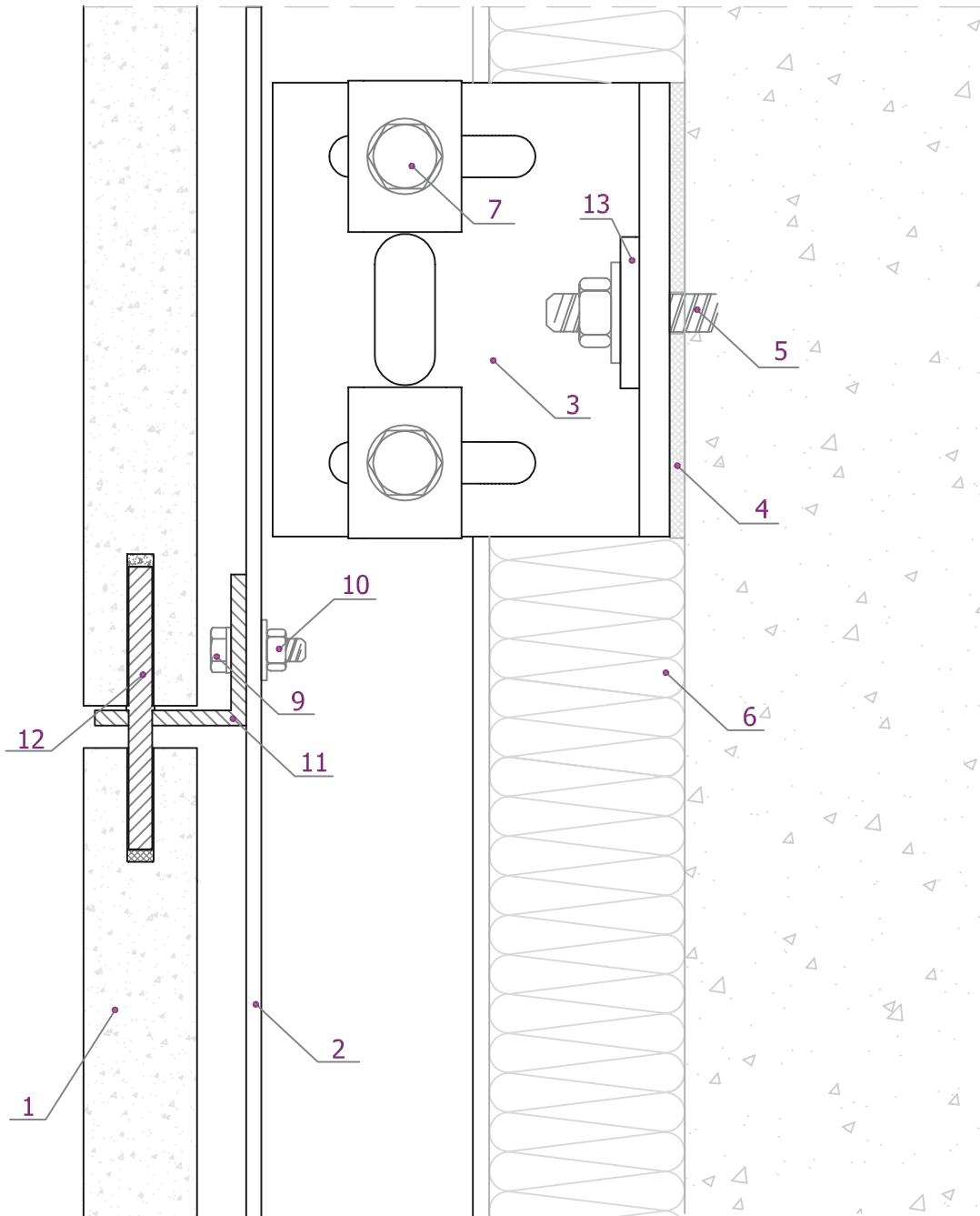
FORTE



1. stone
2. main profile
3. fixing bracket
4. thermo-insulation pad
5. anchor/dubel
6. thermal insulation
7. screw M10x35
8. nut M10
9. screw M6x20
10. nut M6
11. L profile
12. steel pin
13. aluminum washer

stone – detail 2

FORTE

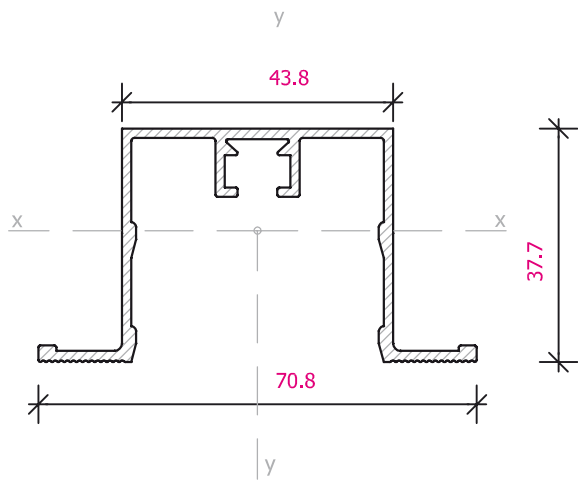


1. stone
2. main profile
3. fixing bracket
4. thermo-insulation pad
5. anchor/dubel
6. thermal insulation
7. screw M10x35
8. screw M6x20
9. screw M6x20
10. nut M6
11. L profile
12. steel pin
13. aluminum washer

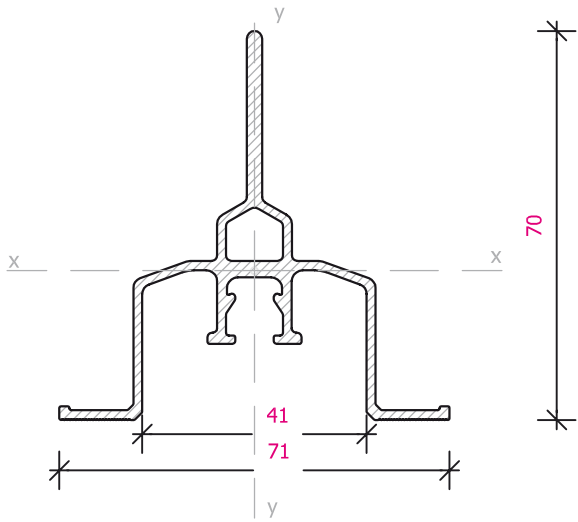
System profiles

and accessories

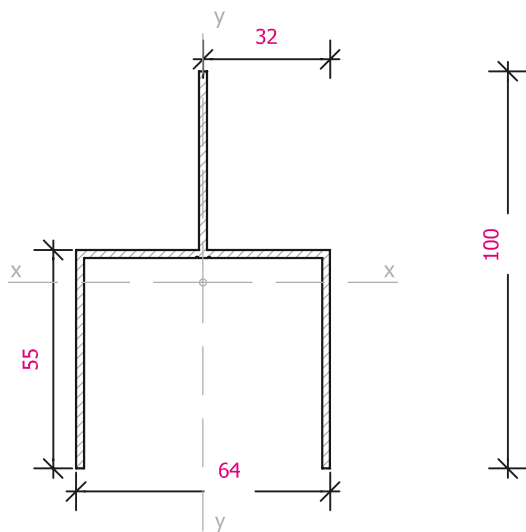
Main profiles



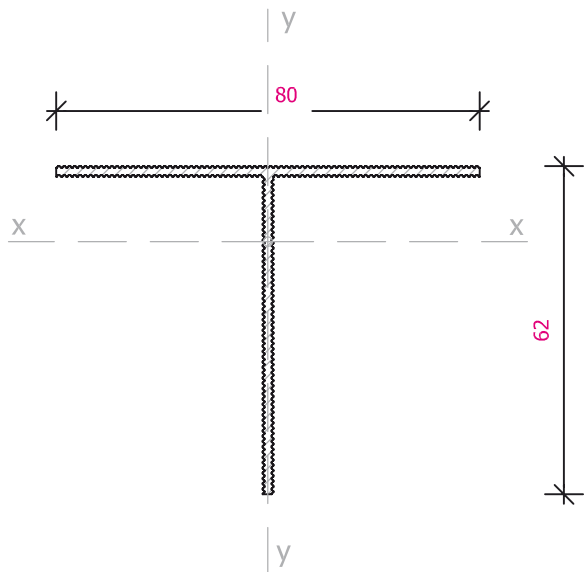
| | |
|---------|----------------------|
| Profile | code 33413 |
| Weight | 758.5 gr/m |
| I_x | 5.67 cm ⁴ |
| W_x | 2.67cm ³ |
| I_y | 10.94cm ⁴ |
| W_y | 3.09 cm ³ |
| A | 2.81cm ² |



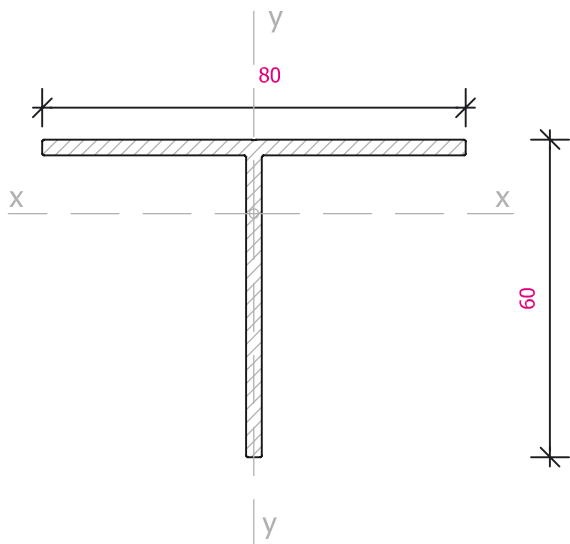
| | |
|---------|----------------------|
| Profile | code 21895 |
| Weight | 1209 gr/m |
| I_x | 13.25cm ⁴ |
| W_x | 3.04cm ³ |
| I_y | 8.90cm ⁴ |
| W_y | 2.52cm ³ |
| A | 4.07cm ² |



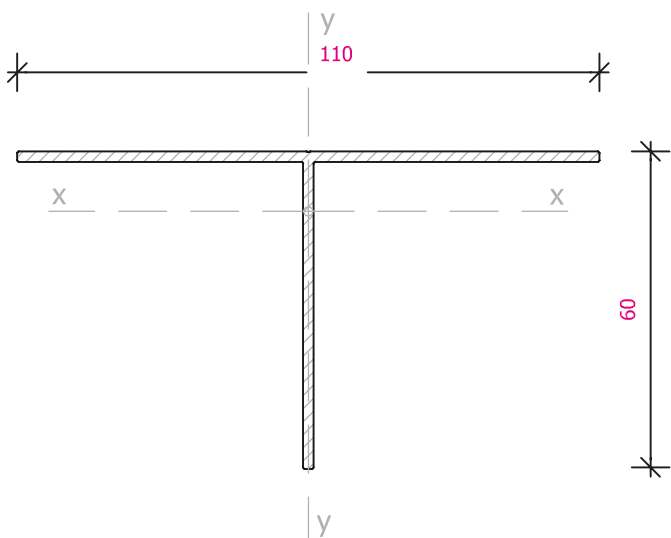
| | |
|---------|----------------------|
| Profile | code 33411 |
| Weight | 1160.5gr/m |
| I_x | 24.28cm ⁴ |
| W_x | 4.44cm ³ |
| I_y | 24.75cm ⁴ |
| W_y | 7.73cm ³ |
| A | 4.29cm ² |



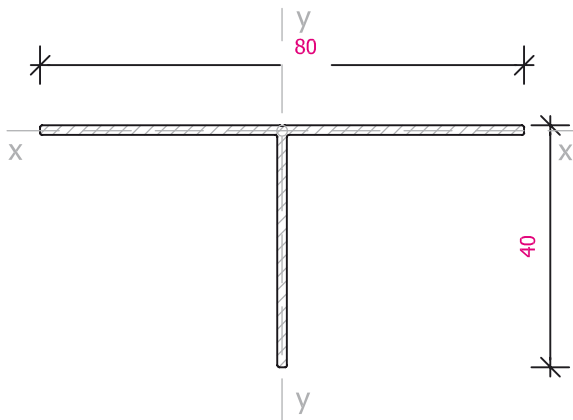
| | |
|---------|----------------------|
| Profile | code 14222 |
| | 80x62x2 |
| Weight | 643 gr/m |
| I_x | 10.70cm ⁴ |
| W_x | 2.14cm ³ |
| I_y | 8.54 cm ⁴ |
| W_y | 2.13cm ³ |
| A | 2.38cm ² |



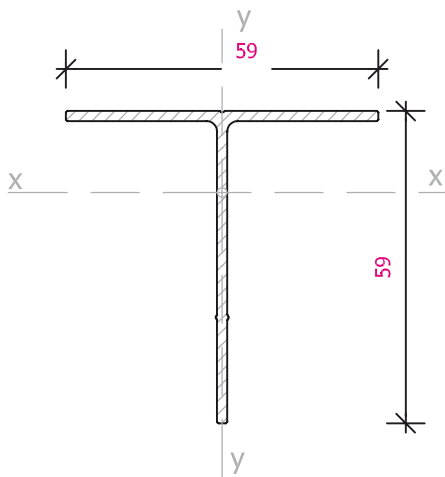
| | |
|---------|----------------------|
| Profile | code 33550 |
| | 80x60x3 |
| Weight | 1109.4gr/m |
| I_x | 13.62cm ⁴ |
| W_x | 2.96 cm ³ |
| I_y | 12.8cm ⁴ |
| W_y | 3.2cm ³ |
| A | 4.11cm ² |



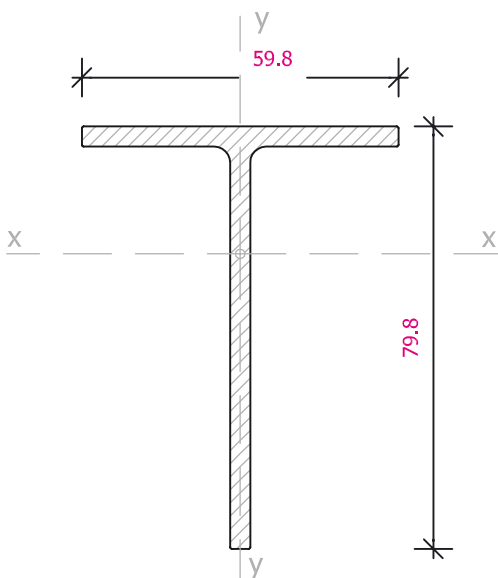
| | |
|---------|----------------------|
| Profile | code 33548 |
| | 110x60x2 |
| Weight | 906.9gr/m |
| I_x | 10.08cm ⁴ |
| W_x | 1.83cm ³ |
| I_y | 22.16cm ⁴ |
| W_y | 4.62cm ³ |
| A | 3.35cm ² |



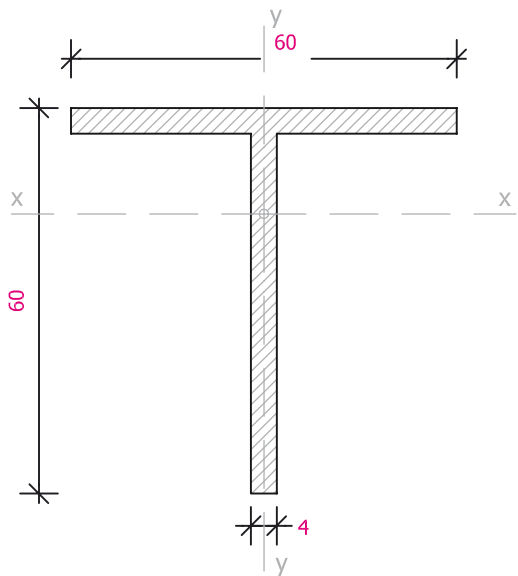
| | |
|---------|----------------------|
| Profile | code 33549 |
| | 80x40x1.6 |
| Weight | 511.1gr/m |
| I_x | 2.41 cm ⁴ |
| W_x | 0.74cm ³ |
| I_y | 6.81 cm ⁴ |
| W_y | 1.7cm ³ |
| A | 1.89cm ² |



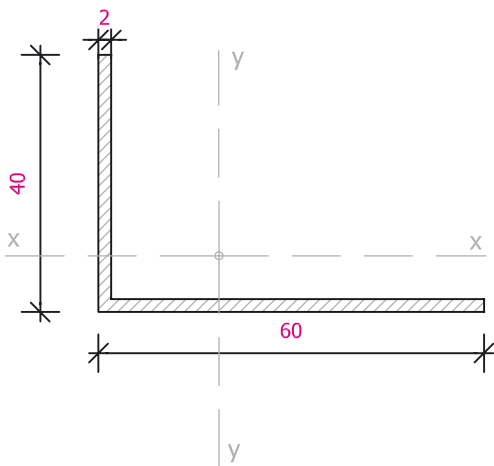
| | |
|---------|----------------------|
| Profile | code 33570 |
| | 59x59x1.9 |
| Weight | 600.5gr/m |
| I_x | 7.78 cm ⁴ |
| W_x | 1.78 cm ³ |
| I_y | 3.25 cm ⁴ |
| W_y | 1.1cm ³ |
| A | 2.22cm ² |



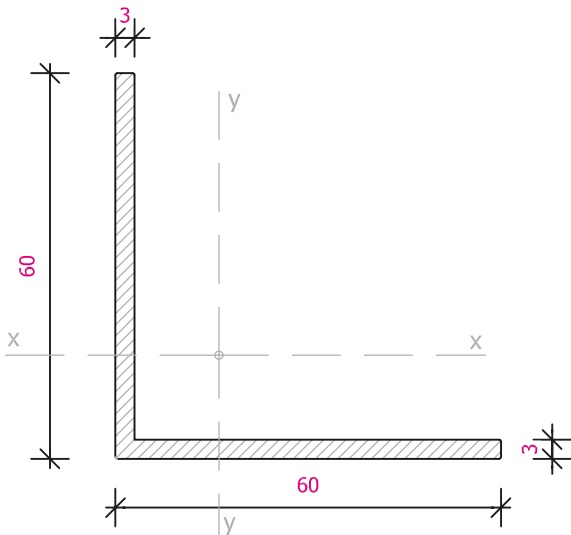
| | |
|---------|----------------------|
| Profile | code TP 060001 |
| | 59.8x79.8x3.8 |
| Weight | 1403.5 gr/m |
| I_x | 34.31cm ⁴ |
| W_x | 6.16 cm ³ |
| I_y | 6.80 cm ⁴ |
| W_y | 2.27cm ³ |
| A | 5.19cm ² |



| | |
|---------|----------------------|
| Profile | code 17160 |
| | 60x60x4 |
| Weight | 1252.8 gr/m |
| I_x | 16.31cm ⁴ |
| W_x | 3.75 cm ³ |
| I_y | 7.22cm ⁴ |
| W_y | 2.41 cm ³ |
| A | 4.64cm ² |



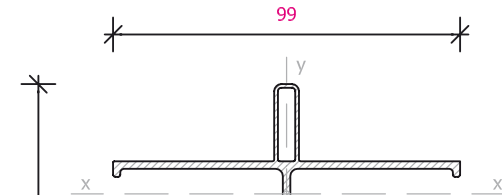
| | |
|---------|---------------------|
| Profile | code 10645 |
| | 60x40x2 |
| Weight | 529gr/m |
| I_x | 2.78cm ⁴ |
| W_x | 0.89cm ³ |
| I_y | 7.51cm ⁴ |
| W_y | 1.82cm ³ |
| A | 1.96cm ² |



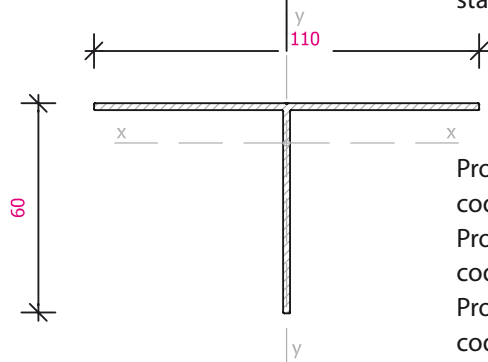
| | |
|---------|----------------------|
| Profile | code 4163 |
| | 60x60x3 |
| Weight | 947 gr/m |
| I_x | 12.53cm ⁴ |
| W_x | 2.86cm ³ |
| I_y | 12.53cm ⁴ |
| W_y | 2.86cm ³ |
| A | 3.5 cm ² |

Main profile for ceramic Agrob Buchtal

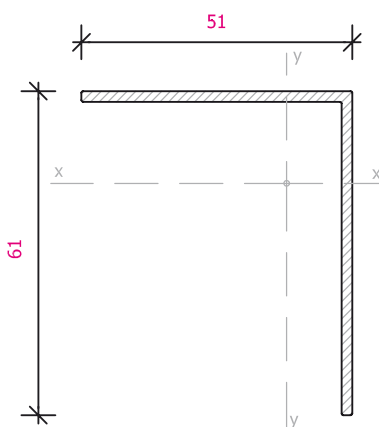
| | |
|---------|-----------------------|
| Profile | code 21916 |
| | 99x83.2x2.2 |
| Weight | 1096.5 gr/m |
| I_x | 200.17cm ⁴ |
| W_x | 6.38cm ³ |
| I_y | 140.2cm ⁴ |
| W_y | 4.04cm ³ |
| A | 4.06cm ² |



Profile for plate 200mm
code 07 buchtalt200
Profile for plate 250mm
code 07 buchtalt250
Profile for plate 300mm
code 07 buchtalt300
*the profile is painted in
standard RAL 9005 – black



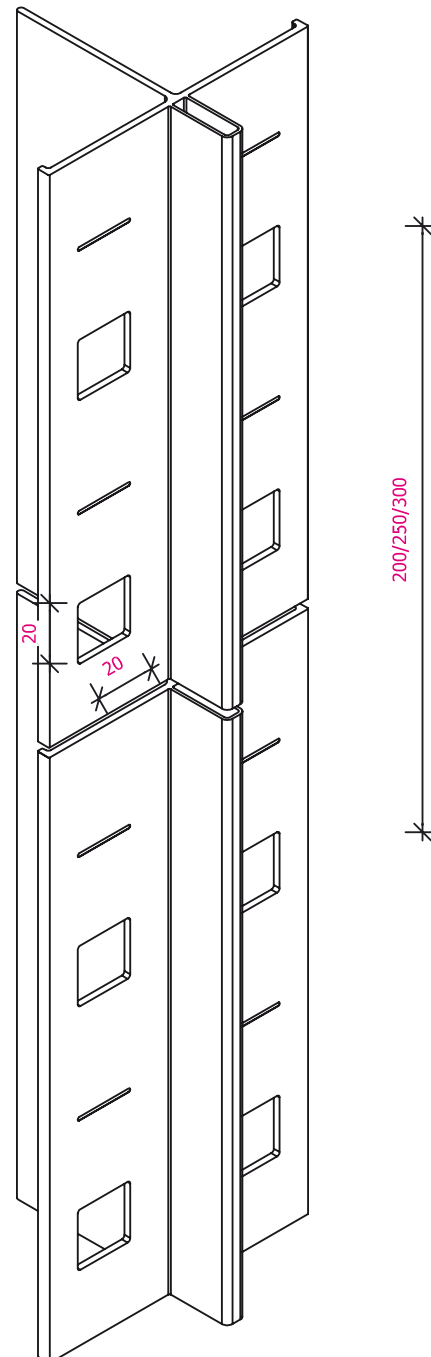
Profile for plate 200mm
code 07 buchtalt200
Profile for plate 250mm
code 07 buchtalt250
Profile for plate 300mm
code 07 buchtalt300
*the profile is painted in
standard RAL 9005 – black



Profile for plate 200mm
code 07 buchtalt200
Profile for plate 250mm
code 07 buchtalt250
Profile for plate 300mm
code 07 buchtalt300
*the profile is painted in
standard RAL 9005 – black

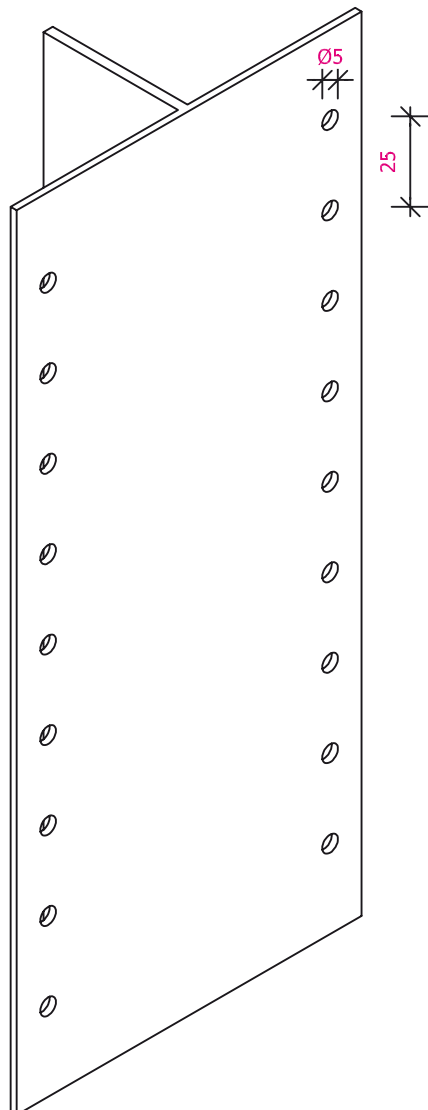
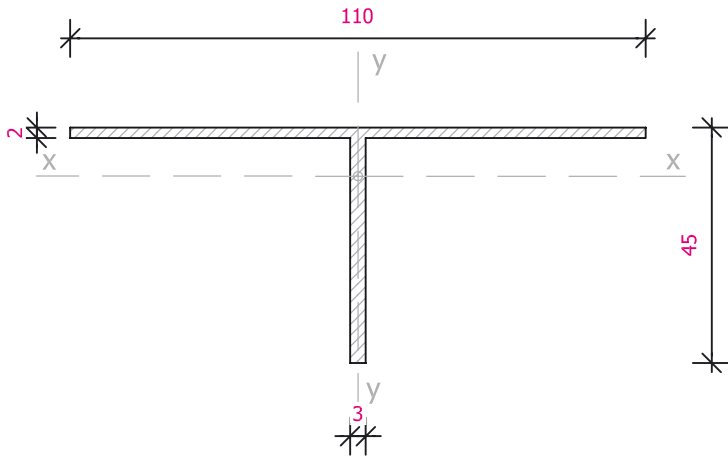


hanger
code 07 buchtalQ.01

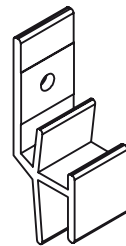


*the profile is painted in standard RAL 9005 – black

Main profile for ceramic Argeton

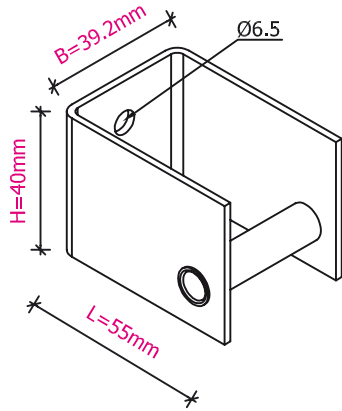


| | |
|---------|--------------------|
| Profile | code 07argeton |
| | 110x45x2/3 |
| Weight | 1290.6 gr/m |
| I_x | 6.11cm^4 |
| W_x | 1.71cm^3 |
| I_y | 22.19cm^4 |
| W_y | 4.03cm^3 |
| A | 4.06cm^2 |

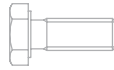


clamp
code 07 clamp01

Accessories



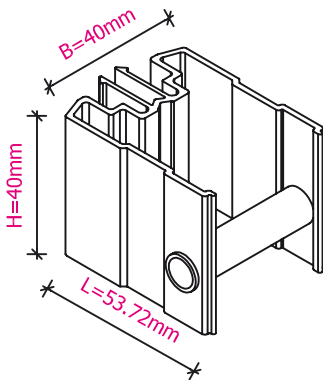
hanger
code 07110800



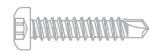
screw
M6x16
din933



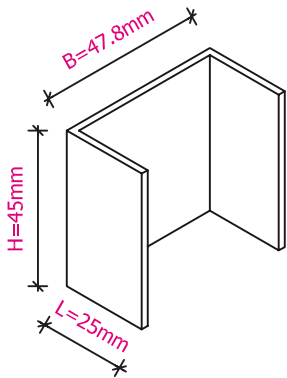
nut
M6
din934



hanger
code 07bravo.00



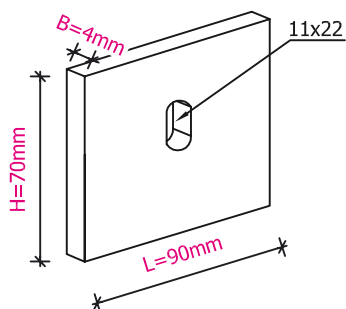
self drilling screw
4.8x32 code
07M4832QS



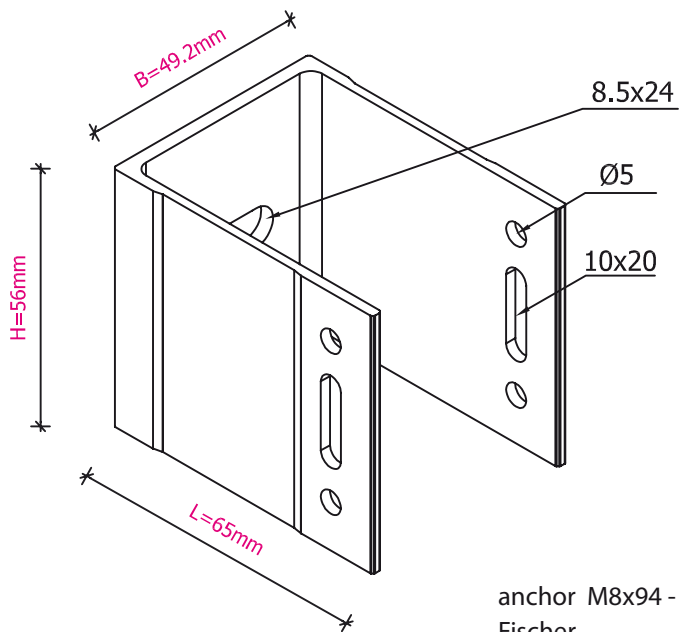
drainage profile code
07110805



self drilling screw
4.2x16 code
07M4216QS

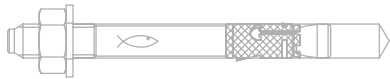


PVC thermostop
code 07pvcbreak00



Fixing bracket

| | |
|----------------|---------|
| code 07bravo01 | L=65mm |
| code 07110801 | L=80mm |
| code 07110806 | L=100mm |
| code 07110803 | L=120mm |
| code 07110804 | L=160mm |



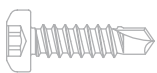
| | |
|---|----------------|
| anchor M8x94 - A4 - for concrete | code 07M894A4F |
| Fischer | |
| anchor M8x97- galvanized steel-for concrete | code 07M897F |
| Fischer | |
| anchor M8x97- galvanized steel-for concrete | code 07M897S |
| Sormat | |



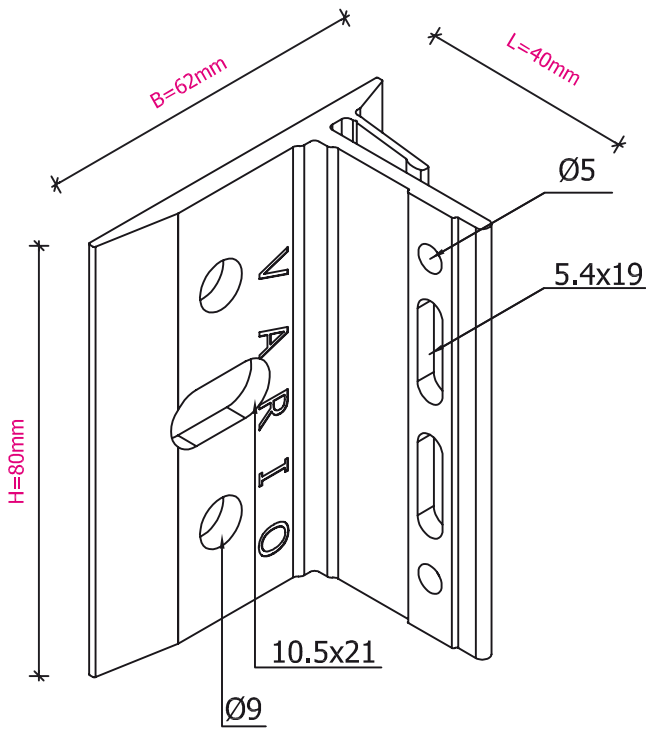
| | |
|---|-------------------|
| dubel ø10x100- A4, Sormat | code 0710100A4S |
| dubel ø10x100- galvanized steel, Sormat | code 0710100S |
| dubel ø10x100- A4, Fischer | code 0710100A4SXR |



| | |
|---------------------|-------------------|
| rivet ø4.8x12 AL-St | code 07P4812ALSS |
| rivet ø4.8x12 AL-A2 | code 07P4812ALA2S |
| rivet ø4.8x12 A2-A2 | code 07P4812A2A2S |
| Sormat | |



self drilling screw M4.2x16-zinced steel code 07M4216QS



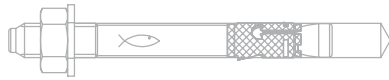
Fixing bracket

code 07vario07

L=40mm

code 07vario08

L=75mm



anchor M8x94- A4 - for concrete

code 07M894A4F

Fischer

anchor M8x97- galvanized steel-for concrete

code 07M897F

Fischer

anchor M10x102- A4 - for concrete

code 07M10102A4S

Sormat

anchor M10x102- galvanized steel- for concrete

code 07M10102A4S

Sormat

dubel ø10x100- A4

code 0710100A4S

Sormat

dubel ø10x100- zincd steel

code 0710100S



Sormat

dubel ø10x100- A4

code 0710100A4SXR

Fischer



rivet ø5x12 AL-St

code 07P512 ALSS

rivet ø4.8x12 AL-St

code 07P4812ALSS

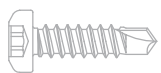
rivet ø4.8x12 AL-A2

code 07P4812ALA2S

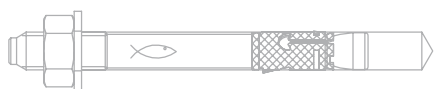
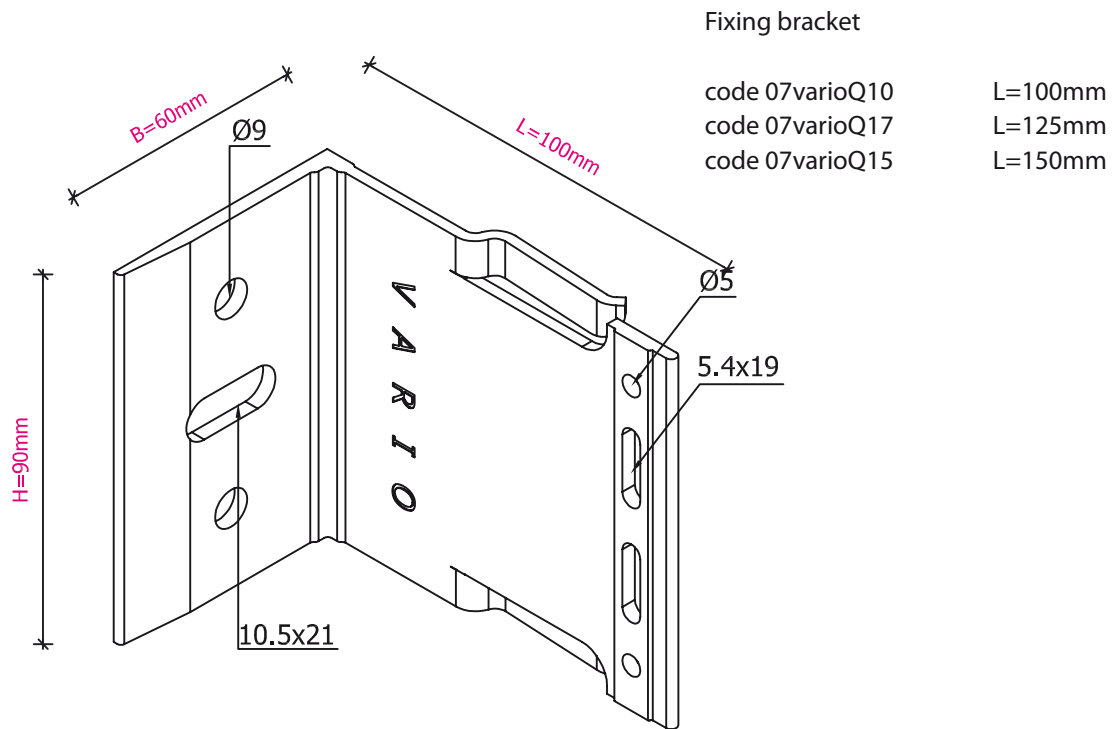
rivet ø4.8x12 A2-A2

code 07P4812A2A2S

Sormat



self drilling screw M4.2x16-zincd steel code 07M4216QS



Fischer
anchor M8x97- galvanized steel-for concrete code 07M897F

Fischer
anchor M10x102- A4 - for concrete code
07M10102A4S

Sormat
anchor M10x102- galvanized steel- for concrete code
07M10102A4S

Sormat

dubel ø10x100- A4
code 0710100A4S



Sormat
dubel ø10x100- zinc-coated steel
code 0710100S

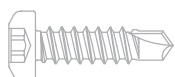
Sormat
dubel ø10x100- A4 code 0710100A4SXR

Fischer

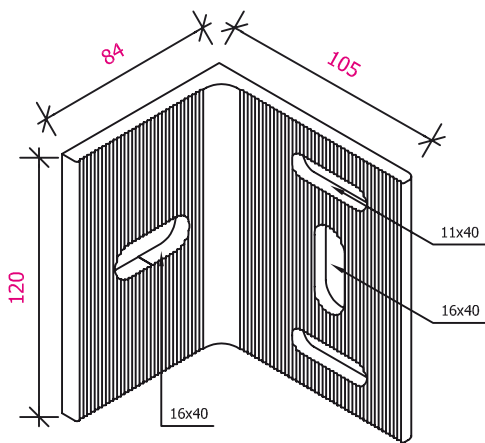
rivet ø5x12 AL-St code 07P512 ALSS
rivet ø4.8x12 AL-St code 07P4812ALSS
rivet ø4.8x12 AL-A2 code 07P4812ALA2S
rivet ø4.8x12 A2-A2 code 07P4812A2A2S



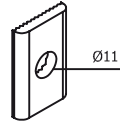
Sormat



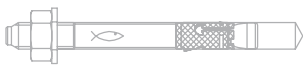
self drilling screw M4.2x16-zinc-coated steel
code 07M4216QS



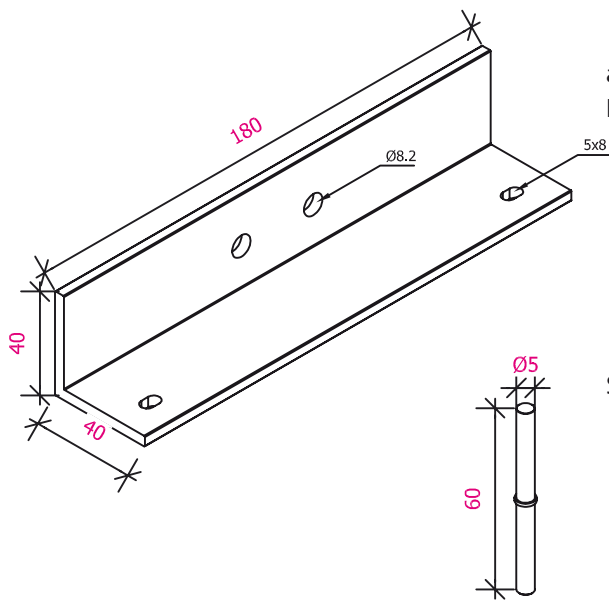
bracket 71 121 L
for stone hanging



washer
for fixing bracket code 07120800

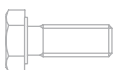


anchor M12x123 code 07M12123S
galvanized steel for concrete



accessories for stone hanging
L profile code 07forte01

Steel pin code 07pin500

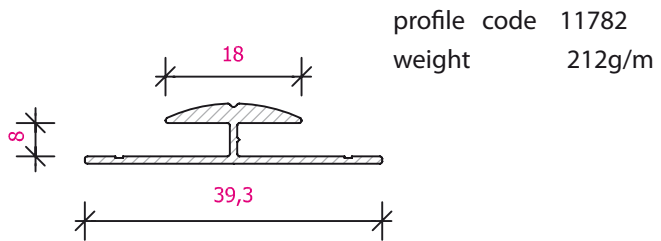
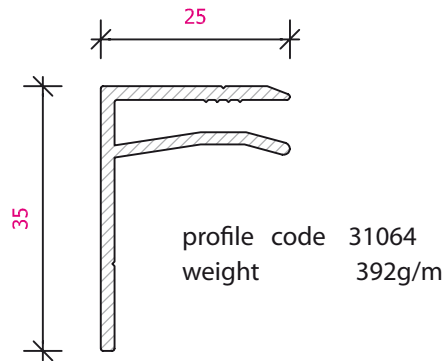
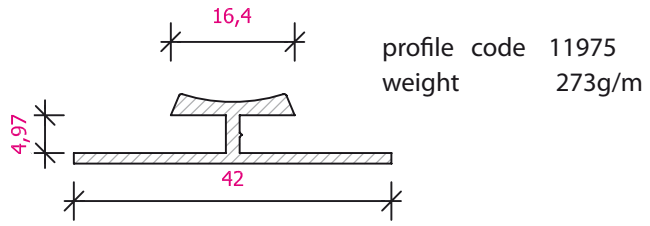


screw M6x20 din933
screw M10x35 din933

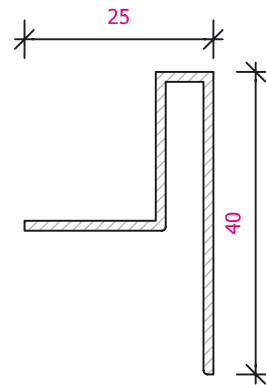
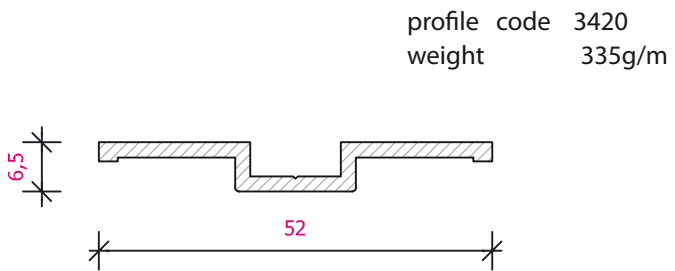


nut M6 din934
nut M10 din934

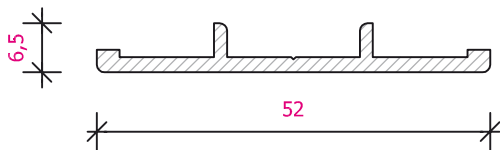
System profiles



profile code 3426
weight 292g/m



profile code 3421
weight 335g/m



profile code 5256
weight 248g/m

